

# Explosion Proof Electric Vibrators

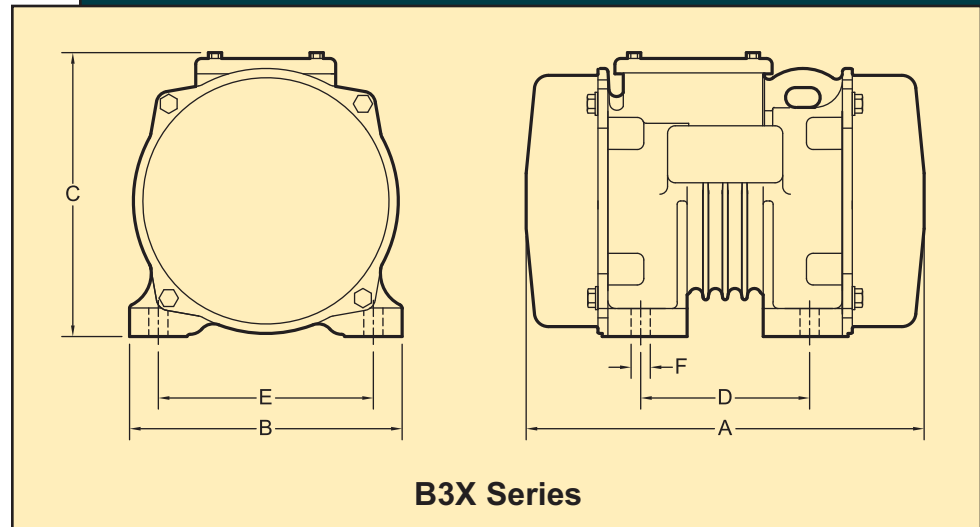
## FEATURES:

- UL approved for Class II Group E, F & G, Division 1 & 2
- 1000 Force lb – 1750 RPM
- 220 volt / 440 volt – 3 phase
- Ductile iron bearing housings
- Roller bearings designed for vibration
- High temperature class H windings

## Specify Cougar for:

- Cost effective solutions.
- Expert technical assistance.
- Complete service and support.

*For the mounting and operation instructions on Electric Vibrators see our form 710*



## DIMENSIONS (Millimeter)

Model	A	B	C	Bolt Pattern		Bolt Size	Weight kg
				D	E	F	
B3X-1000-1A-4	295	197	211	127	152	12	20.0

## PERFORMANCE DATA

Model	kg cm	RPM	Force (N)	Amps		watts
				190 Volt	380 Volt	
B3X-1000-1A-4	13.24	1460	3097	2.30	1.20	246



**COUGAR**  
INDUSTRIES, INC.

3600 Cougar Drive,  
Peru, Illinois 61354-9336

Toll Free: 800-262-2106  
Phone: 815-224-1200  
Fax: 815-224-1241

[www.cougarindustries.com](http://www.cougarindustries.com)

Form SB-B3X-001b