

# LI Series Piston

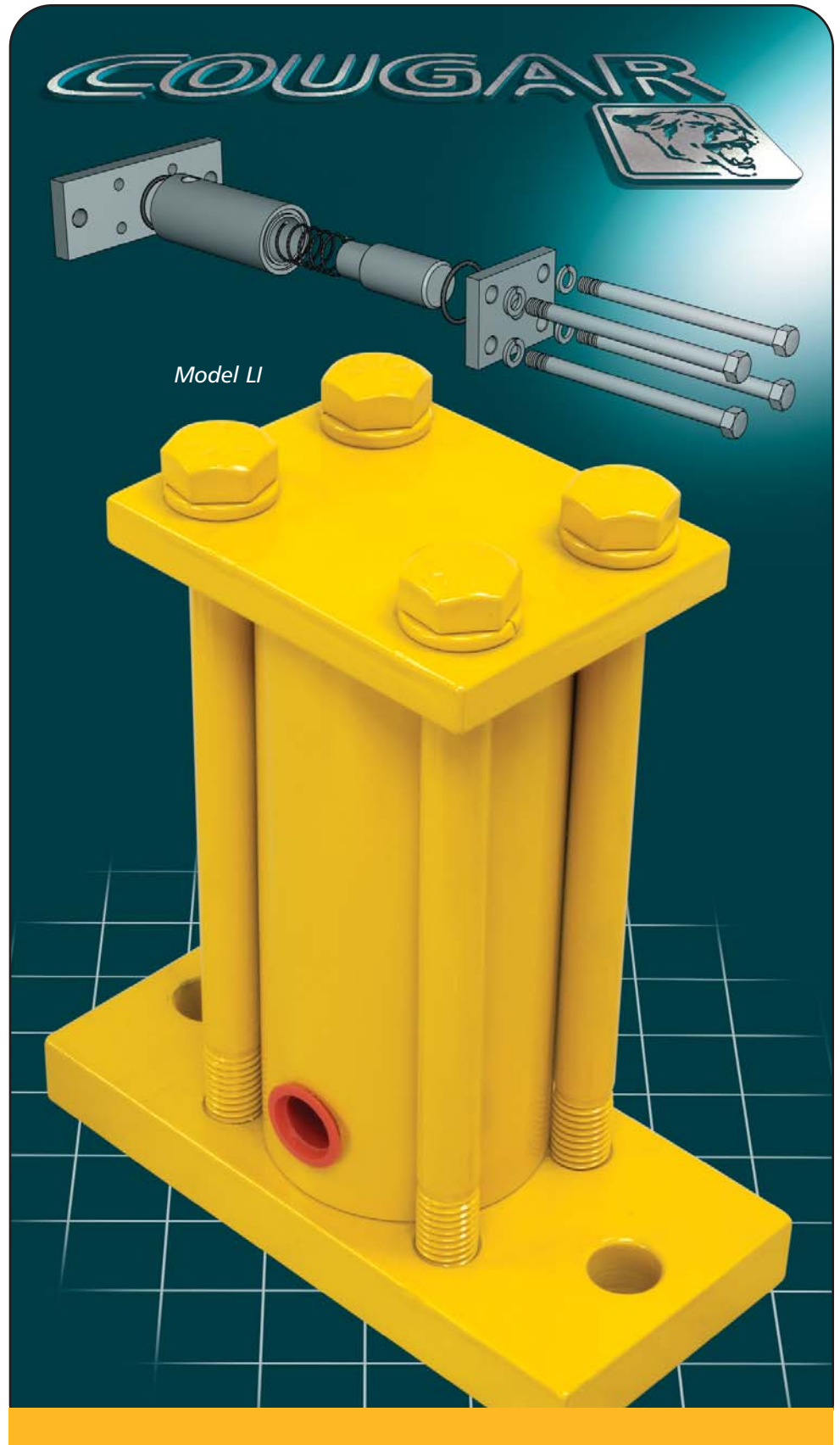
## FEATURES:

- Alloy steel bodies.
- Hardened pistons.
- Moly coated pistons  
*for long operational life  
and low maintenance.*
- Low air consumption.
- Produces uniform  
directional force.
- No lubrication  
required.

## Specify Cougar for:

- Cost effective  
solutions.
- Expert technical  
assistance.
- Complete service  
and support.

*For the specifications on LI  
Series Pistons see our technical  
bulletin TB-LI-001a (Inch) or  
TB-LI-001b (Metric)*



**COUGAR**<sup>®</sup>  
INDUSTRIES, INC.

3600 Cougar Drive,  
Peru, Illinois 61354-9336

[www.cougarindustries.com](http://www.cougarindustries.com)

Toll Free: 800-262-2106  
Phone: 815-224-1200  
Fax: 815-224-1241

Form SB-LI-001