

Concrete Vibrators

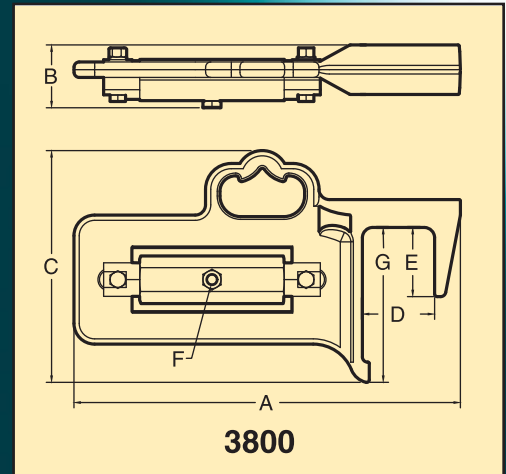
COUGAR



DIMENSIONS (Millimeter)

Model 3800

Model	Piston Size mm	2.7 Bar		4 Bar		MAX 5.5 Bar		Content of Mold Cubic Meters	Replacement Vibrator Model #
		VPM	Ltr/Min	VPM	Ltr/Min	VPM	Ltr/Min		
3810	32	4500	156	5800	227	6500	306	0.113	2210
3812	38	4500	116	6000	204	6800	280	0.227	2212
3816	51	4250	212	5600	360	6000	481	0.453	2216



PERFORMANCE DATA

Model	Piston Size	A	B	C	Port NPT		E	F	G	Weight kg
	mm				D					
3810	32	476	78	286	1/4		86	89	191	12.8
3812	38	476	89	286	1/4		86	89	191	15.0
3816	51	476	105	286	1/4		86	89	191	18.1

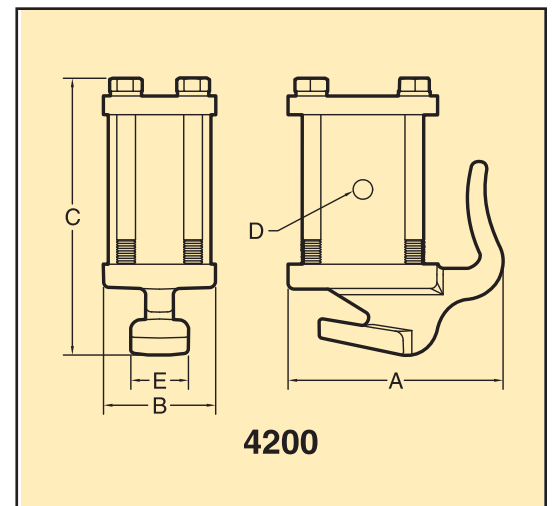
For the mounting and operation instructions on Concrete Vibrators see our form 714

Model 4200

Model	Piston Size	2.7 Bar		4 Bar		MAX 5.5 Bar	
	mm	VPM	Ltr/Min	VPM	Ltr/Min	VPM	Ltr/Min
4212	38	2800	150	3500	229	4100	309
4216	51	2600	311	3900	456	4100	592
4224	76	2100	289	2600	473	3000	634

PERFORMANCE DATA

Model	Piston Size	A	B	C	Port NPT		E	Weight kg
	mm				D			
4212	38	189	89	244	1/4		59	7.4
4216	51	189	89	241	1/4		59	9.3
4224	76	189	89	279	1/2		59	19.1



COUGAR
INDUSTRIES, INC.®

3600 Cougar Drive,
Peru, Illinois 61354-9336

Toll Free: 800-262-2106
Phone: 815-224-1200
Fax: 815-224-1241

www.cougarindustries.com

Form TB-3800/4200-001b