

# Railcar Piston Vibrators

## Model 4400

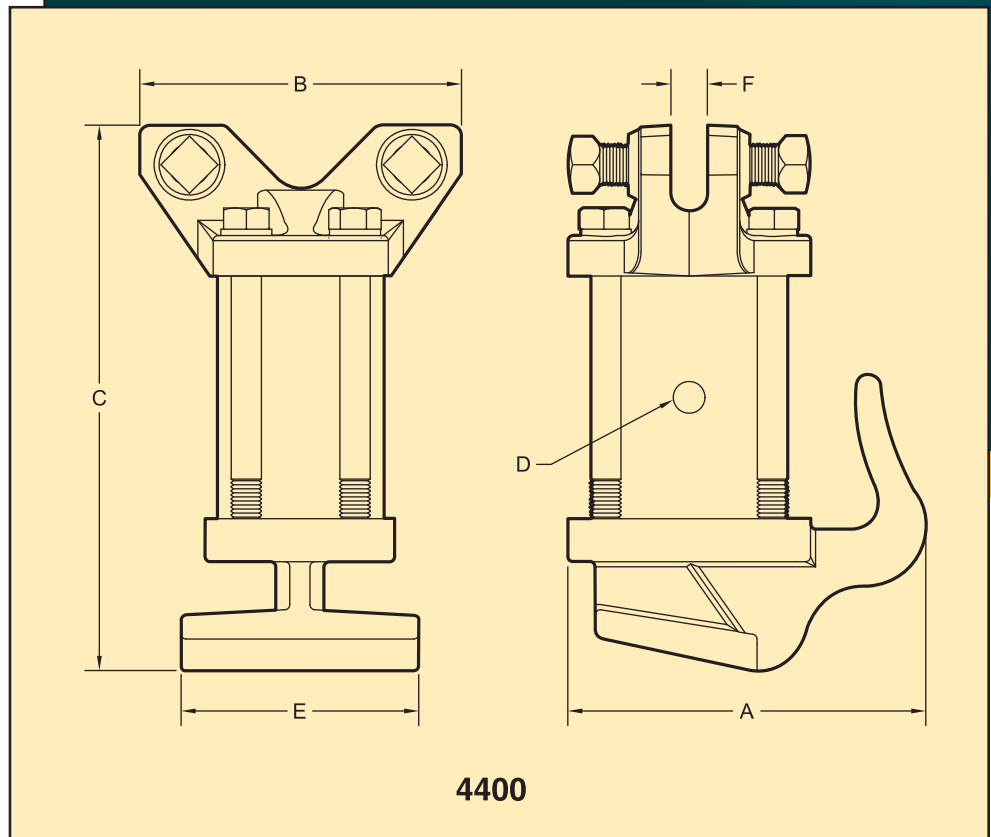
# COUGAR



DIMENSIONS (Inch)

Model	Piston Size	A	B	C	Port NPT	E	F	Weight Lbs.
	In				D			
4424	3.000	8.875	5.875	11.250	1/2	5.875	--	46.500
4424-A	3.000	8.875	8.000	13.500	1/2	5.875	0.875	56.750
4424-L	3.000	8.875	5.875	15.687	1/2	5.875	--	61.750
4424-L-A	3.000	8.875	8.000	18.000	1/2	5.875	0.875	72.000
4432	4.000	8.875	5.875	14.375	1/2	5.875	--	69.250

*For the mounting and operation instructions on Piston Vibrators see our form 714*



### PERFORMANCE DATA

Model	Piston Size	40 PSI		60 PSI		MAX 80 PSI	
	In	VPM	CFM	VPM	CFM	VPM	CFM
4424	3.000	2100	10.2	2600	16.7	3000	22.4
4424-A	3.000	2100	10.2	2600	16.7	3000	22.4
4424-L	3.000	850	13.6	1000	24.7	1250	35.9
4424-L-A	3.000	850	13.6	1000	24.7	1250	35.9
4432	4.000	1200	19.1	1700	31.8	1900	40.3



**COUGAR**  
INDUSTRIES, INC.®

3600 Cougar Drive,  
Peru, Illinois 61354-9336

Toll Free: 800-262-2106  
Phone: 815-224-1200  
Fax: 815-224-1241

[www.cougarindustries.com](http://www.cougarindustries.com)

Form TB-4400-001a