

# Railcar Piston Vibrators

## Model 4400

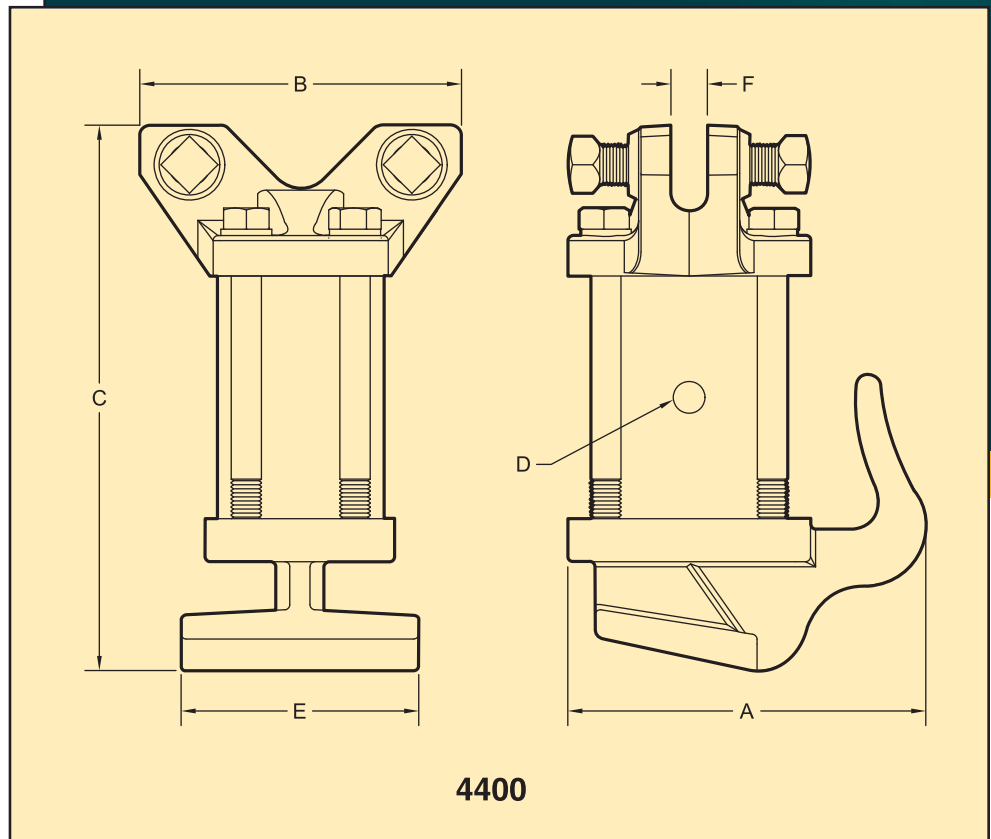
# COUGAR

DIMENSIONS (Millimeter)



Model	Piston Size	A	B	C	Port NPT	E	F	Weight kg
	mm				D			
4424	76	225	149	286	1/2	149	--	21.1
4424-A	76	225	203	343	1/2	149	22	25.7
4424-L	76	225	149	398	1/2	149	--	28.0
4424-L-A	76	225	203	457	1/2	149	22	32.7
4432	102	225	149	365	1/2	149	--	31.4

*For the mounting and operation instructions on Piston Vibrators see our form 714*



### PERFORMANCE DATA

Model	Piston Size mm	2.7 Bar		4 Bar		MAX 5.5 Bar	
		VPM	Ltr/Min	VPM	Ltr/Min	VPM	Ltr/Min
4424	76	2100	289	2600	473	3000	634
4424-A	76	2100	289	2600	473	3000	634
4424-L	76	850	385	1000	699	1250	1017
4424-L-A	76	850	385	1000	699	1250	1017
4432	102	1200	541	1700	900	1900	1141



**COUGAR**  
INDUSTRIES, INC.

3600 Cougar Drive,  
Peru, Illinois 61354-9336

Toll Free: 800-262-2106  
Phone: 815-224-1200  
Fax: 815-224-1241

[www.cougarindustries.com](http://www.cougarindustries.com)

Form TB-4400-001b