

Piston Vibrators Model 5000

COUGAR

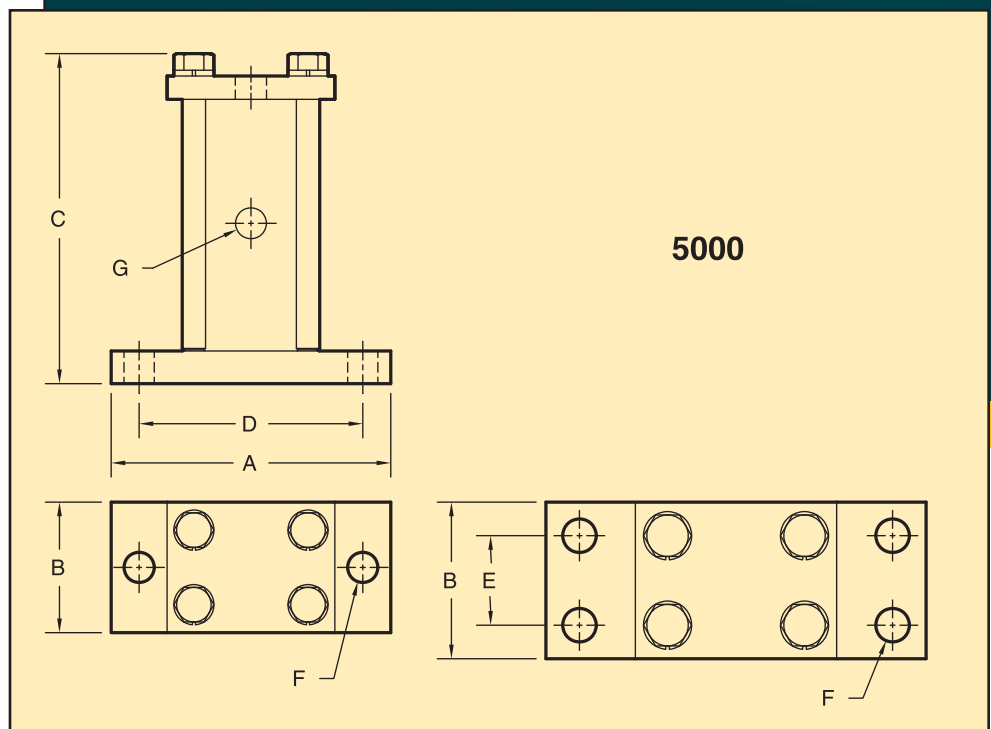


DIMENSIONS (Inch)

Model	Piston Size	A	B	C	Bolt Pattern		Bolt Size	Port NPT	Weight Lbs.
	In				D	E	F	G	
5008/5008-AC	1.00	4.5	2.0	4.375	3.500	--	3/8	1/8	4.25
5010/5010-AC	1.25	6.0	2.5	5.500	4.500	--	1/2	1/4	8.25
5012/5012-AC	1.50	7.5	3.0	7.125	6.000	--	5/8	1/4	14.50
5016/5016-AC	2.00	7.5	3.5	7.000	6.000	--	5/8	1/4	20.00
5016-L/5016-L-AC	2.00	7.5	3.5	8.750	6.000	--	5/8	1/4	24.00
5024/5024-AC	3.00	10.5	4.5	8.750	8.438	2.5	5/8	1/2	44.00
5024-L/5024-L-AC	3.00	10.5	4.5	13.125	8.438	2.5	5/8	1/2	62.00
5032/5032-AC	4.00	10.5	5.5	11.625	8.438	2.5	7/8	1/2	69.25
5032-L/5032-L-AC	4.00	10.5	7.0	16.500	8.438	2.5	7/8	1/2	99.00

For the mounting and operation instructions on Piston Vibrators see our form 714

An interchange chart for competitive models is available



PERFORMANCE DATA

Model	Piston Size	40 PSI		60 PSI		MAX 80 PSI	
	In	VPM	CFM	VPM	CFM	VPM	CFM
5008	1.00	5800	3.4	9500	5.6	11500	6.1
5010	1.25	3500	6.1	5250	10.4	6500	14.4
5012	1.50	2800	5.3	3500	8.1	4100	10.9
5016	2.00	2600	11.0	3900	16.1	4100	20.9
5016-L	2.00	1400	6.8	2600	12.8	3500	19.7
5024	3.00	2100	10.2	2600	16.7	3000	22.4
5024-L	3.00	850	13.6	1000	24.7	1250	35.9
5032	4.00	1200	19.1	1700	31.8	1900	40.3
5032-L	4.00	700	20.4	950	31.9	1100	40.4

Model	Piston Size	40 PSI		60 PSI		MAX 80 PSI	
	In	VPM	CFM	VPM	CFM	VPM	CFM
5008-AC	1.00	3900	3.4	4800	4.4	5500	5.8
5010-AC	1.25	2900	6.8	3500	8.7	4000	11.6
5012-AC	1.50	2350	6.2	2900	6.9	3400	10.9
5016-AC	2.00	2250	6.8	2750	9.5	3200	12.5
5016-L-AC	2.00	1400	9.5	1700	14.3	2200	17.9
5024-AC	3.00	2000	9.6	2100	15.2	2400	21.6
5024-L-AC	3.00	780	17.1	900	27.9	1200	35.9
5032-AC	4.00	1200	13.7	1350	23.9	1700	35.9
5032-L-AC	4.00	650	20.5	750	27.9	900	35.9



COUGAR
INDUSTRIES, INC.

3600 Cougar Drive,
Peru, Illinois 61354-9336

Toll Free: 800-262-2106
Phone: 815-224-1200
Fax: 815-224-1241

www.cougarindustries.com

Form TB-5000-001a