

# Piston Vibrators Model 5000

# COUGAR

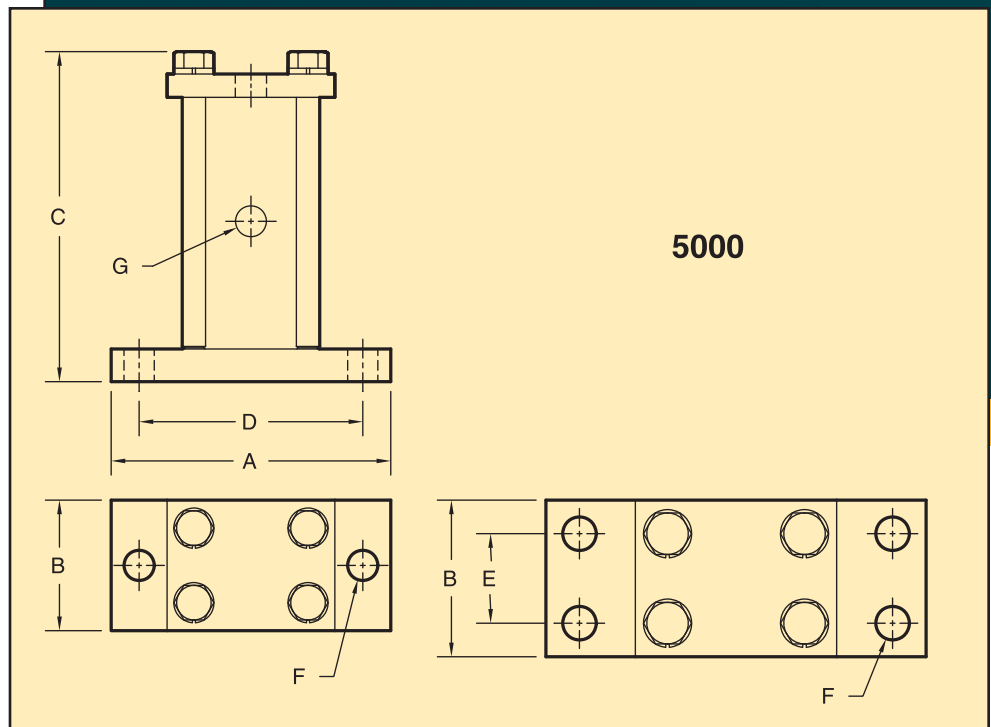


DIMENSIONS (Millimeter)

Model	Piston Size	A	B	C	Bolt Pattern		Bolt Size	Port NPT	Weight kg
	mm				D	E			
5008/5008-AC	25	114	51	111	89	--	10	1/8"	1.9
5010/5010-AC	32	152	64	140	114	--	13	1/4"	3.7
5012/5012-AC	38	191	76	181	152	--	16	1/4"	6.6
5016/5016-AC	51	191	89	178	152	--	16	1/4"	9.1
5016-L/5016-L-AC	51	191	89	222	152	--	16	1/4"	10.9
5024/5024-AC	76	267	114	222	214	64	16	1/2"	20.0
5024-L/5024-L-AC	76	267	114	333	214	64	16	1/2"	28.1
5032/5032-AC	102	267	140	295	214	64	22	1/2"	31.4
5032-L/5032-L-AC	102	267	178	419	214	64	22	1/2"	44.9

For the mounting and operation instructions on Piston Vibrators see our form 714

An interchange chart for competitive models is available



## PERFORMANCE DATA

Model	Piston Size	2.7 Bar		4 Bar		MAX 5.5 Bar	
	mm	VPM	Ltr/Min	VPM	Ltr/Min	VPM	Ltr/Min
5008	25	5800	96	9500	159	11500	173
5010	32	3500	173	5250	294	6500	408
5012	38	2800	150	3500	229	4100	309
5016	51	2600	311	3900	456	4100	592
5016-L	51	1400	193	2600	362	3500	558
5024	76	2100	289	2600	473	3000	634
5024-L	76	850	385	1000	699	1250	1017
5032	102	1200	541	1700	900	1900	1141
5032-L	102	700	578	950	903	1100	1144

Model	Piston Size	2.7 Bar		4 Bar		MAX 5.5 Bar	
	mm	VPM	Ltr/Min	VPM	Ltr/Min	VPM	Ltr/Min
5008-AC	25	3900	96	4800	125	5500	164
5010-AC	32	2900	193	3500	246	4000	328
5012-AC	38	2350	176	2900	195	3400	309
5016-AC	51	2250	193	2750	269	3200	354
5016-L-AC	51	1400	269	1700	405	2200	507
5024-AC	76	2000	272	2100	430	2400	612
5024-L-AC	76	780	484	900	790	1200	1017
5032-AC	102	1200	388	1350	677	1700	1017
5032-L-AC	102	650	580	750	790	900	1017



**COUGAR**  
INDUSTRIES, INC.

3600 Cougar Drive,  
Peru, Illinois 61354-9336

Toll Free: 800-262-2106  
Phone: 815-224-1200  
Fax: 815-224-1241

[www.cougarindustries.com](http://www.cougarindustries.com)

Form TB-5000-001b