

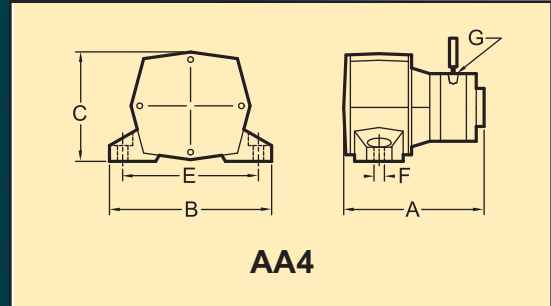
# Air Vibrators

# COUGAR

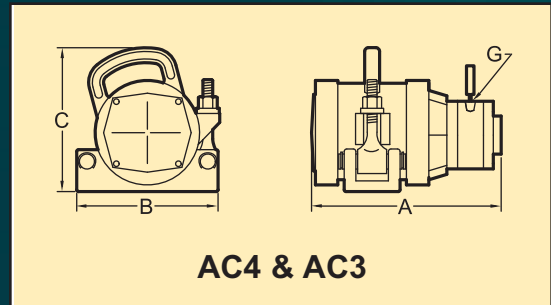


DIMENSIONS (Inch)

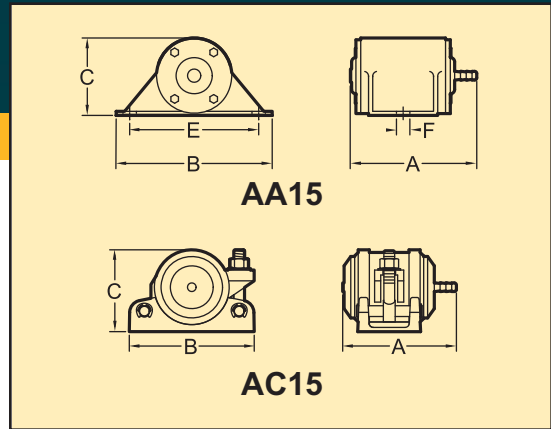
Model	A	B	C	Bolt Pattern		Bolt Size		Port NPT	Weight Lbs.
				D	E	F	G		
AA4-3300	10.188	10.000	6.625	--	8.000	0.625	3/8	40.250	
NPQ-170	11.625	10.688	11.250	2.000	8.000	0.625	1/2	78.500	
NPQ-175	11.625	10.688	11.250	2.000	8.000	0.625	1/2	84.000	
AC4-3000	12.000	9.500	10.313	--	--	--	3/8	44.500	
AC3-3500	12.000	9.500	10.313	--	--	--	3/8	50.000	
AL4-3000	12.000	8.375	10.500	1.250	6.250	--	3/8	57.000	
AL3-3500	12.000	8.375	10.500	1.250	6.250	--	3/8	58.500	
AA15-2600	6.688	9.000	4.875	--	7.000	0.625	--	23.000	
AC15-2600	6.750	6.813	4.813	--	--	--	--	17.000	
AC11-5000	7.188	9.500	9.063	--	--	--	--	32.000	
AC11-5000-S	8.563	9.500	9.063	--	--	--	--	35.750	
AC11-6500	7.188	9.500	9.063	--	--	--	--	36.000	



AA4

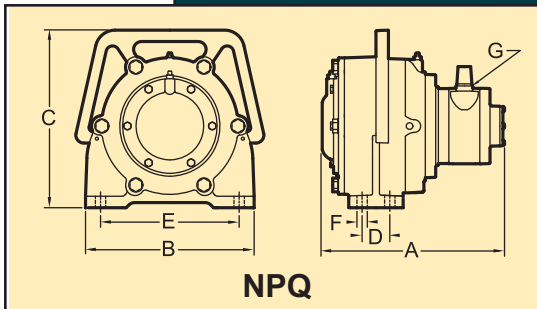


AC4 & AC3

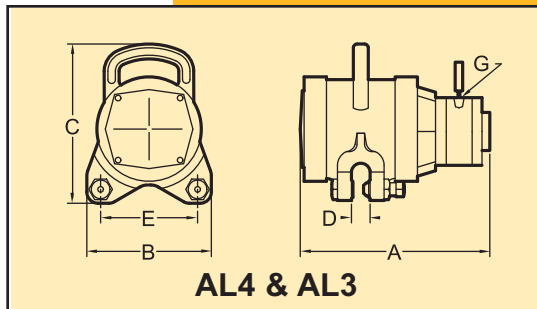


AA15

AC15



NPQ

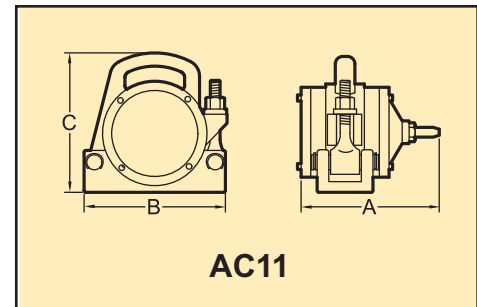


AL4 & AL3

For the mounting and operation instructions on Air Vibrators see our form 703

## PERFORMANCE DATA

Model	In Lbs.	40 PSI			60 PSI			MAX 80 PSI		
		VPM	Force Lbs.	CFM	VPM	Force Lbs.	CFM	VPM	Force Lbs.	CFM
AA4-3300	5.70	3600	2098	20.00	4800	3730	40.00	5600	5077	65.00
NPQ-170	12.50	2500	2219	51.00	3000	3195	60.00	3500	4349	81.00
NPQ-175	25.00	2000	2840	56.00	2500	4438	60.00	3000	6390	90.00
AC4-3000	5.00	2750	1074	15.00	4400	2749	40.00	5000	3550	65.00
AC3-3500	10.10	2000	1147	13.00	3300	3124	40.00	3800	4142	55.00
AL4-3000	5.00	2750	1074	15.00	4100	2387	40.00	58000	3550	65.00
AL3-3500	10.10	2000	1147	13.00	3300	3124	40.00	3800	4142	55.00
AA15-2600	0.55	8645	1167	27.00	10498	1721	30.00	12350	2382	38.00
AC15-2600	0.55	8645	1167	27.00	10498	1721	30.00	12350	2382	38.00
AC11-5000	1.40	9980	3960	37.00	12115	5836	41.00	14250	8074	52.00
AC11-5000-S	4.30	5670	3926	34.00	6885	5789	38.00	8100	8012	48.00
AC11-6500	2.20	9800	6001	42.00	11900	8848	46.00	14000	12246	59.00



AC11



**COUGAR**  
INDUSTRIES, INC.

3600 Cougar Drive,  
Peru, Illinois 61354-9336

[www.cougarindustries.com](http://www.cougarindustries.com)

Toll Free: 800-262-2106  
Phone: 815-224-1200  
Fax: 815-224-1241

Form TB-AIR-001a