

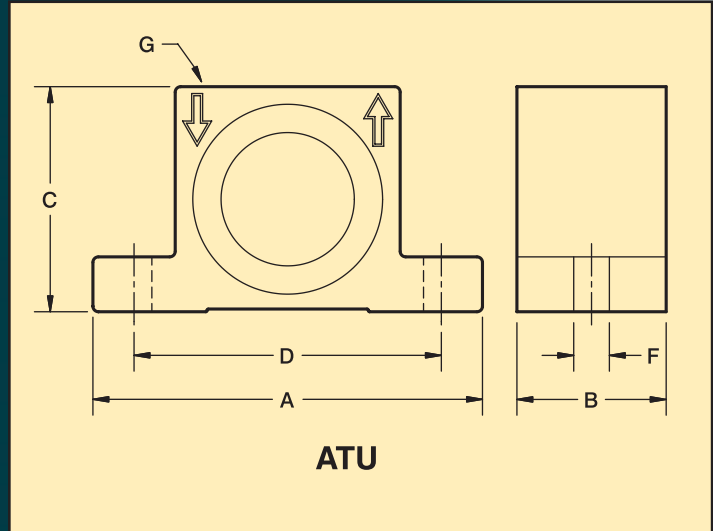
Turbine Vibrators Model ATU

COUGAR



DIMENSIONS (Inch)

Model	A	B	C	Bolt Pattern D	Bolt Size F	Port NPT G	Weight Lbs.
ATU-11	2.74	1.10	1.57	2.20	1/4	1/8	0.29
ATU-12	2.74	1.10	1.57	2.20	1/4	1/8	0.30
ATU-21	3.50	1.32	2.00	2.63	1/4	1/8	0.58
ATU-22	3.50	1.32	2.00	2.63	1/4	1/8	0.60
ATU-23	3.50	1.32	2.00	2.63	1/4	1/8	0.62
ATU-31	4.44	1.70	2.56	3.50	3/8	1/4	1.28
ATU-32	4.44	1.70	2.56	3.50	3/8	1/4	1.32
ATU-33	4.44	1.70	2.56	3.50	3/8	1/4	1.34
ATU-41	5.75	2.26	3.15	4.00	3/8	1/4	2.61
ATU-42	5.75	2.26	3.15	4.00	3/8	1/4	2.70
ATU-43	5.75	2.26	3.15	4.00	3/8	1/4	2.83
ATU-51	7.00	2.90	3.95	5.00	1/2	3/8	5.11
ATU-52	7.00	2.90	3.95	5.00	1/2	3/8	5.52
ATU-53	7.00	2.90	3.95	5.00	1/2	3/8	5.91
ATU-61	8.62	3.40	4.72	5.98	5/8	3/8	8.77
ATU-62	8.62	3.40	4.72	5.98	5/8	3/8	9.52
ATU-63	8.62	3.40	4.72	5.98	5/8	3/8	10.22



For the mounting and operation instructions on Turbine Vibrators see our form 709

An interchange chart for competitive models is available

PERFORMANCE DATA

Model	In Lbs.	40 PSI				60 PSI				80 PSI			
		VPM	Force Lbs.	CFM	dB (A)	VPM	Force Lbs.	CFM	dB (A)	VPM	Force Lbs.	CFM	dB (A)
ATU-11	0.001	37000	39	1.0	71	42000	50	1.5	71	44000	55	1.7	72
ATU-12	0.002	29000	48	1.0	66	35000	70	1.5	67	39000	86	1.7	70
ATU-21	0.008	26000	154	1.8	68	30000	204	2.6	71	33000	247	3.3	73
ATU-22	0.010	23000	150	1.8	62	27500	215	2.6	64	30000	256	3.3	67
ATU-23	0.019	16000	138	1.8	60	17500	165	2.6	61	19000	195	3.3	62
ATU-31	0.023	18000	212	4.9	67	22000	316	6.4	67	24000	326	8.1	68
ATU-32	0.028	17000	230	4.9	65	20500	334	6.4	67	23000	421	8.1	70
ATU-33	0.058	12000	237	4.9	65	15000	371	6.4	68	16000	422	8.1	69
ATU-41	0.061	13500	316	6.7	67	16500	472	9.4	67	18500	593	11.7	69
ATU-42	0.090	12000	368	6.7	64	15000	575	9.4	66	16500	696	11.7	67
ATU-43	0.192	--	--	--	--	11700	746	9.4	67	13000	922	11.7	68
ATU-51	0.224	11500	841	10.7	69	13500	1159	15.3	74	14500	1338	19.2	75
ATU-52	0.340	9500	871	10.7	71	11200	1211	15.3	74	12500	1509	19.2	76
ATU-53	0.759	--	--	--	--	7300	1149	15.3	70	8200	1449	19.2	72
ATU-61	0.608	7900	1078	14.4	68	8700	1307	20.3	72	9400	1526	25.5	77
ATU-62	0.857	7000	1193	14.4	68	8100	1597	20.3	74	8700	1842	25.5	76
ATU-63	1.358	--	--	--	--	5600	1209	20.3	74	6100	1435	25.5	77



COUGAR
INDUSTRIES, INC.

3600 Cougar Drive,
Peru, Illinois 61354-9336

Toll Free: 800-262-2106
Phone: 815-224-1200
Fax: 815-224-1241

www.cougarindustries.com

Form TB-ATU-001a

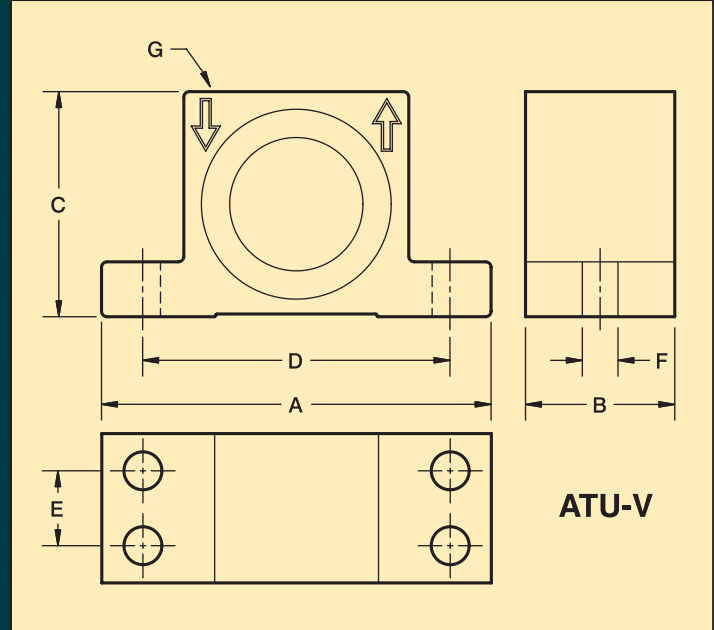
Turbine Vibrators Model ATU-V

COUGAR



DIMENSIONS (Inch)

Model	A	B	C	Bolt Pattern		Bolt Size	Port NPT	Weight Lbs.
				D	E	F	G	
ATU-31V	4.44	1.70	2.56	3.50	--	3/8	1/4	1.25
ATU-42V	5.75	2.26	3.15	4.00	--	1/2	1/4	2.70
ATU-42V1	5.75	2.26	3.15	4.00	--	1/2	1/4	2.70
ATU-43V	5.75	2.26	3.15	4.00	--	1/2	1/4	2.83
ATU-51V	7.00	2.90	3.95	5.00	--	1/2	3/8	4.77
ATU-52V	7.00	2.90	3.95	6.00	--	5/8	3/8	5.52
ATU-52V1	7.00	2.90	3.95	5.50	1.25	3/8	3/8	5.52
ATU-61V	8.62	3.40	4.72	5.98	--	5/8	3/8	8.77
ATU-61V1	8.62	3.40	4.72	5.50	1.75	3/8	3/8	8.77
ATU-61V2	8.62	3.40	4.72	7.00	1.88	1/2	3/8	8.77



For the mounting and operation instructions on Turbine Vibrators see our form 709

An interchange chart for competitive models is available

PERFORMANCE DATA

Model	In Lbs.	40 PSI				60 PSI				80 PSI			
		VPM	Force Lbs.	CFM	dB (A)	VPM	Force Lbs.	CFM	dB (A)	VPM	Force Lbs.	CFM	dB (A)
ATU-31V	0.013	21000	163	4.9	68	24500	222	6.4	68	28000	289	8.1	70
ATU-42V	0.090	12000	368	6.7	64	15000	575	9.4	66	16500	696	11.7	67
ATU-42V1	0.090	12000	368	6.7	64	15000	575	9.4	66	16500	696	11.7	67
ATU-43V	0.192	--	--	--	--	11700	746	9.4	67	13000	922	11.7	68
ATU-51V	0.156	12000	638	10.7	71	14300	906	15.3	75	15500	1064	19.2	77
ATU-52V	0.340	9500	871	10.7	71	11200	1211	15.3	74	12500	1509	19.2	76
ATU-52V1	0.340	9500	871	10.7	71	11200	1211	15.3	74	12500	1509	19.2	76
ATU-61V	0.608	7900	1078	14.4	68	8700	1307	20.3	72	9400	1526	25.5	77
ATU-61V1	0.608	7900	1078	14.4	68	8700	1307	20.3	72	9400	1526	25.5	77
ATU-61V2	0.608	7900	1078	14.4	68	8700	1307	20.3	72	9400	1526	25.5	77



COUGAR
INDUSTRIES, INC.

3600 Cougar Drive,
Peru, Illinois 61354-9336

Toll Free: 800-262-2106
Phone: 815-224-1200
Fax: 815-224-1241

www.cougarindustries.com

Form TB-ATU-001a