

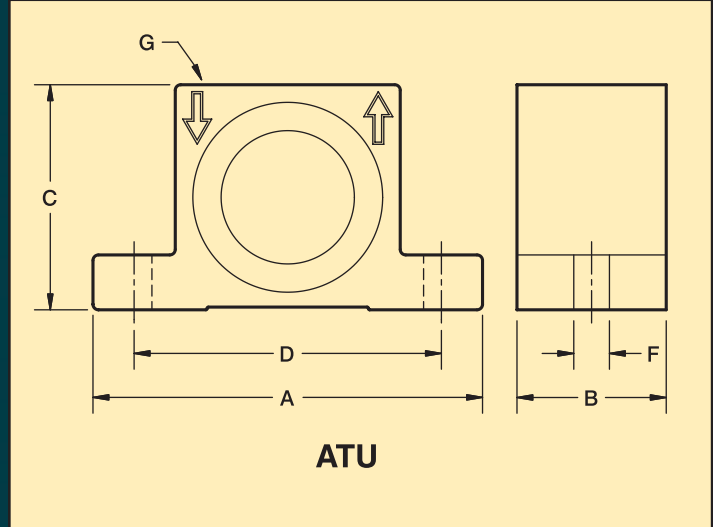
Turbine Vibrators Model ATU

COUGAR



DIMENSIONS (Millimeter)

Model	A	B	C	Bolt Pattern D	Bolt Size F	Port NPT G	Weight kg
ATU-11	70	28	40	56	6	1/8"	0.13
ATU-12	70	28	40	56	6	1/8"	0.14
ATU-21	89	34	51	67	6	1/8"	0.26
ATU-22	89	34	51	67	6	1/8"	0.27
ATU-23	89	34	51	67	6	1/8"	0.28
ATU-31	113	43	65	89	8	1/4"	0.58
ATU-32	113	43	65	89	8	1/4"	0.60
ATU-33	113	43	65	89	8	1/4"	0.61
ATU-41	146	57	80	102	8	1/4"	1.18
ATU-42	146	57	80	102	8	1/4"	1.22
ATU-43	146	57	80	102	8	1/4"	1.28
ATU-51	178	74	100	127	10	3/8"	2.32
ATU-52	178	74	100	127	10	3/8"	2.50
ATU-53	178	74	100	127	10	3/8"	2.68
ATU-61	219	86	120	152	16	3/8"	3.98
ATU-62	219	86	120	152	16	3/8"	4.32
ATU-63	219	86	120	152	16	3/8"	4.64



For the mounting and operation instructions on Turbine Vibrators see our form 709

An interchange chart for competitive models is available

PERFORMANCE DATA

Model	kg cm	2.8 Bar				4 Bar				5.5 Bar			
		VPM	Force (N)	Ltr/Min	dB (A)	VPM	Force (N)	Ltr/Min	dB (A)	VPM	Force (N)	Ltr/Min	dB (A)
ATU-11	0.001	35000	173	28	70	42000	222	42	71	45000	245	48	72
ATU-12	0.002	25000	214	28	65	35000	311	42	67	41500	383	48	70
ATU-21	0.009	24000	685	51	67	30000	907	74	71	34000	1099	93	73
ATU-22	0.012	21000	667	51	61	27500	956	74	64	31000	1139	93	68
ATU-23	0.022	15000	614	51	59	17500	734	74	61	20000	867	93	62
ATU-31	0.026	16700	943	139	66	22000	1406	181	67	25500	1450	229	69
ATU-32	0.032	14500	1023	139	65	20500	1486	181	67	24500	1873	229	70
ATU-33	0.067	11000	1054	139	64	15000	1650	181	68	16700	1877	229	69
ATU-41	0.070	12100	1406	190	66	16500	2100	266	67	19800	2638	331	69
ATU-42	0.104	9600	1637	190	64	15000	2558	266	66	17000	3096	331	67
ATU-43	0.221	--	--	--	--	11700	3318	266	67	13500	4101	331	68
ATU-51	0.258	10400	3741	303	68	13500	5155	433	74	15000	5952	544	77
ATU-52	0.392	8800	3874	303	69	11200	5387	433	74	13000	6712	544	78
ATU-53	0.874	--	--	--	--	7300	5111	433	70	8500	6445	544	72
ATU-61	0.700	7300	4795	408	65	8700	5814	575	72	9700	6788	722	78
ATU-62	0.987	6500	5307	408	63	8100	7104	575	74	9000	8194	722	77
ATU-63	1.564	--	--	--	--	5600	5378	575	74	6300	6383	722	78



COUGAR
INDUSTRIES, INC.

3600 Cougar Drive,
Peru, Illinois 61354-9336

Toll Free: 800-262-2106
Phone: 815-224-1200
Fax: 815-224-1241

www.cougarindustries.com

Form TB-ATU-001b

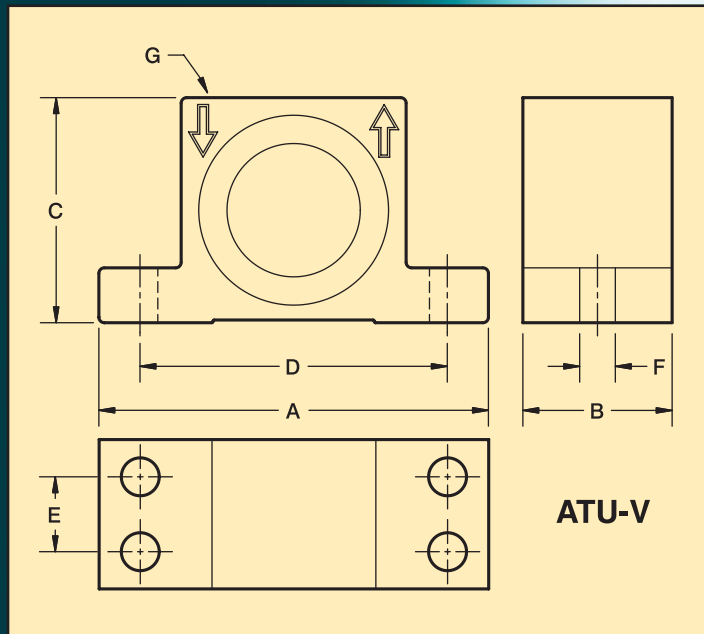
Turbine Vibrators Model ATU-V

COUGAR



DIMENSIONS (Millimeter)

Model	A	B	C	Bolt Pattern		Bolt Size F	Port NPT G	Weight kg
				D	E			
ATU-31V	113	43	65	89	--	8	1/4"	0.57
ATU-42V	146	57	80	102	--	10	1/4"	1.22
ATU-42V1	146	57	80	102	--	10	1/4"	1.22
ATU-43V	146	57	80	102	--	10	1/4"	1.28
ATU-51V	178	74	100	127	--	10	3/8"	2.16
ATU-52V	178	74	100	152	--	16	3/8"	2.50
ATU-52V1	178	74	100	140	32	8	3/8"	2.50
ATU-61V	219	86	120	152	--	16	3/8"	3.98
ATU-61V1	219	86	120	140	44	8	3/8"	3.98
ATU-61V2	219	86	120	178	48	10	3/8"	3.98



For the mounting and operation instructions on Turbine Vibrators see our form 709

An interchange chart for competitive models is available

PERFORMANCE DATA

Model	kg cm	2.8 Bar				4 Bar				5.5 Bar			
		VPM	Force (N)	Ltr/Min	dB (A)	VPM	Force (N)	Ltr/Min	dB (A)	VPM	Force (N)	Ltr/Min	dB (A)
ATU-31V	0.015	19800	725	139	67	24500	988	181	68	29000	1286	229	70
ATU-42V	0.104	9600	1637	190	64	15000	2558	266	66	17000	3096	331	67
ATU-42V1	0.104	9600	1637	190	64	15000	2558	266	66	17000	3096	331	67
ATU-43V	0.221	--	--	--	--	11700	3318	266	67	13500	4101	331	68
ATU-51V	0.180	11000	2838	303	69	14300	4030	433	75	16000	4733	544	78
ATU-52V	0.392	8800	3874	303	69	11200	5387	433	74	13000	6712	544	78
ATU-52V1	0.392	8800	3874	303	69	11200	5387	433	74	13000	6712	544	78
ATU-61V	0.700	7300	4795	408	65	8700	5814	575	72	9700	6788	722	78
ATU-61V1	0.700	7300	4795	408	65	8700	5814	575	72	9700	6788	722	78
ATU-61V2	0.700	7300	4795	408	65	8700	5814	575	72	9700	6788	722	78



COUGAR
INDUSTRIES, INC.®

3600 Cougar Drive,
Peru, Illinois 61354-9336

Toll Free: 800-262-2106
Phone: 815-224-1200
Fax: 815-224-1241

www.cougarindustries.com

Form TB-ATU-001b