

Electric Vibrators

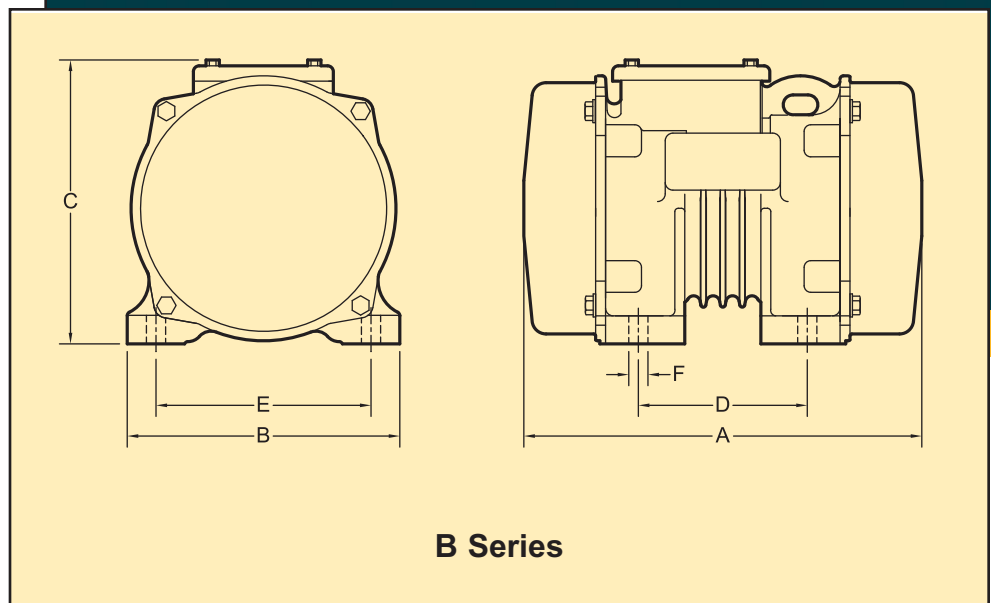
B-Series Single Phase

COUGAR



DIMENSIONS (Inch)

Model	A	B	C	Bolt Pattern		Bolt Size	Weight Lbs.
				D	E	F	
B1-237-0A-2	8.625	4.938	5.313	2.375 - 4.500	4.188	0.313	12.375
B1-500-1A-2	11.625	7.750	8.375	5.000	6.000	0.500	41.000
B1-1000-1A-2	11.625	7.750	8.375	5.000	6.000	0.500	43.000
B1-2500-2A-2	13.000	8.938	8.375	5.500	7.000	0.625	55.000
B1-550-1A-4	11.625	7.750	8.313	5.000	6.000	0.500	44.000
B1-1000-1A-4	11.625	7.750	8.313	5.000	6.000	0.500	47.000
B1-2300-2A-4	14.750	8.938	9.313	5.500	7.000	0.625	70.000
B1-500-2A-6	13.000	8.938	9.313	5.500	7.000	0.625	60.000



PERFORMANCE DATA

Model	In Lbs.	RPM	Force Lbs.	Amps		HP
				115 Volt	230 Volt	
B1-237-0A-2	0.64	3600	237	1.30	--	4/25
B1-500-1A-2	1.50	3450	500	5.10	2.60	1/3
B1-1000-1A-2	3.00	3450	1000	5.10	2.60	1/3
B1-2500-2A-2	7.40	3450	2500	12.00	6.00	3/4
B1-550-1A-4	6.30	1750	550	5.50	2.50	1/4
B1-1000-1A-4	11.50	1750	1000	7.50	3.80	1/3
B1-2300-2A-4	26.50	1750	2300	12.00	6.00	3/4
B1-500-2A-6	12.90	1170	500	7.50	3.80	1/4

For the mounting and operation instructions on Electric Vibrators see our form 710



COUGAR
INDUSTRIES, INC.

3600 Cougar Drive,
Peru, Illinois 61354-9336

Toll Free: 800-262-2106
Phone: 815-224-1200
Fax: 815-224-1241

www.cougarindustries.com

Form TB-B1-001a