

# Electric Vibrators

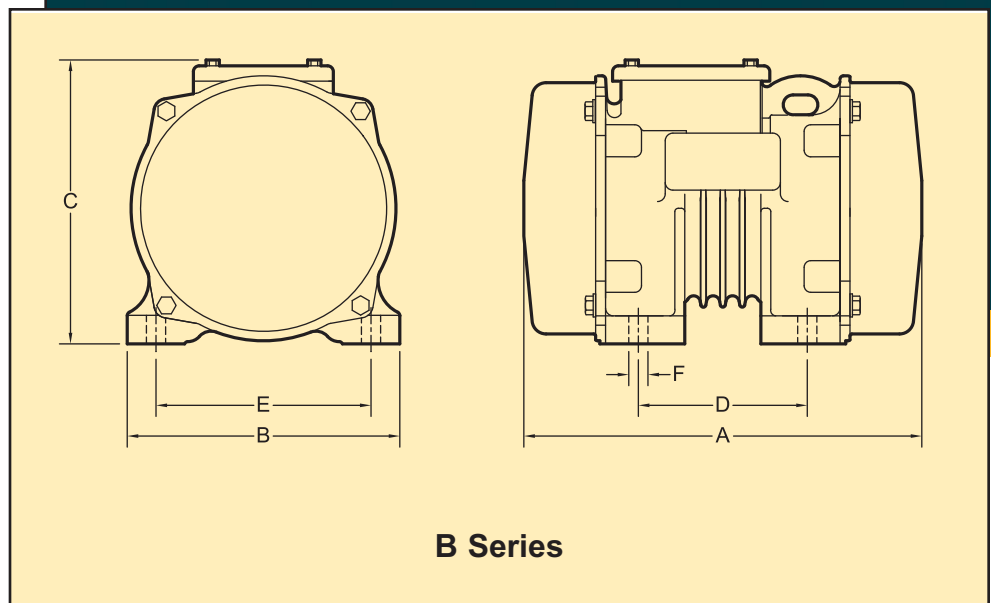
## B-Series Three Phase Two Pole

# COUGAR



DIMENSIONS (Millimeter)

Model	A	B	C	Bolt Pattern		Bolt Size	Weight kg
				D	E	F	
B3-219-0A-2	219	125	135	60 - 75	106	8	5.60
B3-500-1A-2	295	197	211	127	152	12	16.80
B3-1000-1A-2	295	197	211	127	152	12	17.70
B3-2500-2A-2	330	227	237	140	178	16	24.50
B3-3500-2A-2	330	227	237	140	178	16	25.90
B3-5000-3-2	413	273	279	152	203	20	57.60
B3-6600-3-2	413	273	279	152	203	20	58.50
B3-6600-4-2	518	340	333	203	254	24	115.20
B3-8800-4-2	518	340	333	203	254	24	124.30
B3-11000-5-2	610	376	389	229	305	24	158.80



### PERFORMANCE DATA

Model	kg cm	RPM	Force (N)	Amps		watts
				190 Volt	380 Volt	
B3-219-0A-2	0.99	3000	974	0.40	0.20	119
B3-500-1A-2	1.73	2875	1566	1.40	0.70	246
B3-1000-1A-2	3.45	2875	3133	1.40	0.70	246
B3-2500-2A-2	8.52	2875	7727	2.80	1.40	559
B3-3500-2A-2	11.98	2875	10860	2.80	1.40	746
B3-5000-3-2	17.04	2875	15454	8.40	4.20	2237
B3-6600-3-2	22.45	2875	20362	8.84	4.20	2237
B3-6600-4-2	22.45	2875	20362	5.00	2.50	1491
B3-8800-4-2	29.94	2875	27149	11.60	5.80	3728
B3-11000-5-2	37.42	2875	33936	11.60	5.80	3728

*For the mounting and operation instructions on Electric Vibrators see our form 710*



**COUGAR**  
INDUSTRIES, INC.®

3600 Cougar Drive,  
Peru, Illinois 61354-9336

Toll Free: 800-262-2106  
Phone: 815-224-1200  
Fax: 815-224-1241

[www.cougarindustries.com](http://www.cougarindustries.com)

Form TB-B3/2-001b