

Electric Vibrators

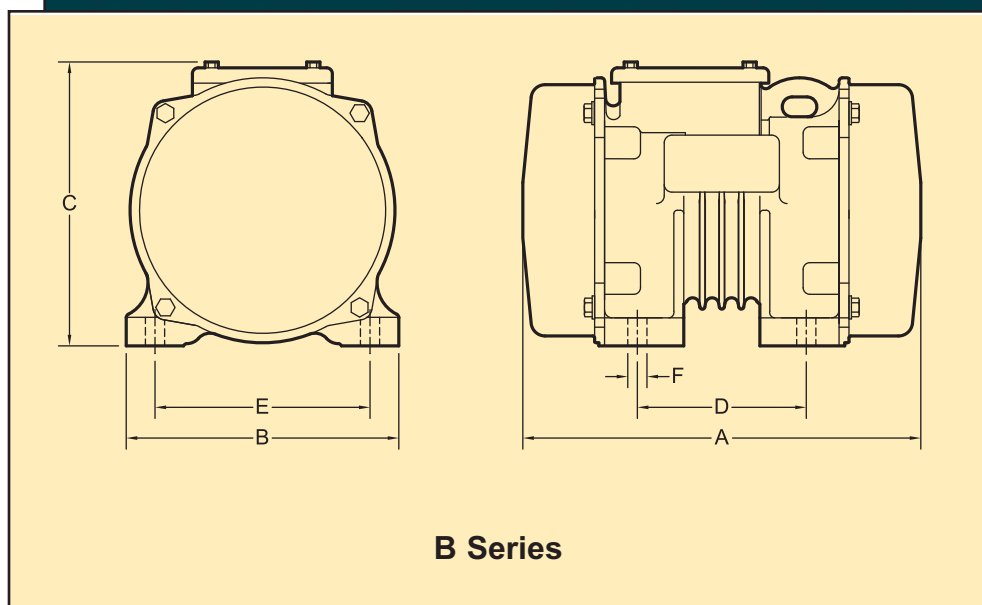
B-Series Three Phase Four Pole

COUGAR



DIMENSIONS (Inch)

Model	A	B	C	Bolt Pattern		Bolt Size	Weight Lbs.
				D	E	F	
B3-550-1A-4	11.625	7.750	8.313	5.000	6.000	0.500	40.000
B3-1000-1A-4	11.625	7.750	8.313	5.000	6.000	0.500	44.000
B3-2300-2A-4	14.750	8.938	9.313	5.500	7.000	0.6.25	68.000
B3-3000-3-4	16.250	10.750	11.000	6.000	8.000	0.750	128.000
B3-4000-3-4	16.250	10.750	11.000	6.000	8.000	0.750	141.000
B3-5500-3-4	16.250	10.750	11.000	6.000	8.000	0.750	149.000
B3-7700-4-4	20.375	13.375	13.125	8.000	10.000	1.000	236.000
B3-10000-4-4	20.375	13.375	13.125	8.000	10.000	1.000	266.000
B3-12300-4-4	20.375	13.375	13.125	8.000	10.000	1.000	278.000
B3-16500-5-4	24.000	14.813	15.313	9.000	12.000	1.000	442.000



PERFORMANCE DATA

Model	In Lbs.	RPM	Force Lbs.	Amps			HP
				230 Volt	460 Volt	575 Volt	
B3-550-1A-4	6.30	1750	550	2.30	1.20	0.70	1/3
B3-1000-1A-4	11.50	1750	1000	2.30	1.20	0.70	1/3
B3-2300-2A-4	26.50	1750	2300	2.40	1.20	1.20	3/4
B3-3000-3-4	34.50	1750	3000	3.00	1.50	--	1
B3-4000-3-4	46.00	1750	4000	4.20	2.10	--	1-1/2
B3-5500-3-4	63.20	1750	5500	4.20	2.10	--	1-1/2
B3-7700-4-4	88.50	1750	7700	8.20	4.10	--	3
B3-10000-4-4	115.00	1750	10000	12.20	6.10	--	5
B3-12300-4-4	141.30	1750	12300	12.20	6.10	--	5
B3-16500-5-4	189.70	1750	16500	20.00	10.00	--	7-1/2

For the mounting and operation instructions on Electric Vibrators see our form 710



COUGAR
INDUSTRIES, INC.

3600 Cougar Drive,
Peru, Illinois 61354-9336

Toll Free: 800-262-2106
Phone: 815-224-1200
Fax: 815-224-1241

www.cougarindustries.com

Form TB-B3/4-001a