

Electric Vibrators

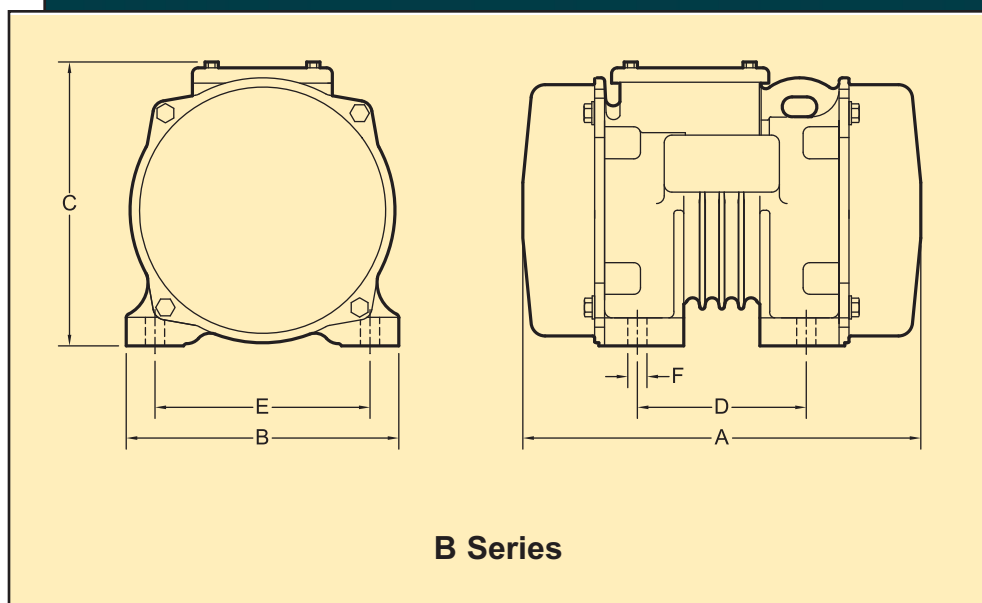
B-Series Three Phase Four Pole

COUGAR



DIMENSIONS (Millimeter)

Model	A	B	C	Bolt Pattern		Bolt Size	Weight kg
				D	E	F	
B3-550-1A-4	295	197	211	127	152	12	18.10
B3-1000-1A-4	295	197	211	127	152	12	20.00
B3-2300-2A-4	375	227	237	140	178	16	30.80
B3-3000-3-4	413	273	279	152	203	20	58.10
B3-4000-3-4	413	273	279	152	203	20	64.00
B3-5500-3-4	413	273	279	152	203	20	67.60
B3-7700-4-4	518	340	333	203	254	24	107.00
B3-10000-4-4	518	340	333	203	254	24	120.70
B3-12300-4-4	518	340	333	203	254	24	126.10
B3-16500-5-4	610	376	389	229	305	24	200.50



PERFORMANCE DATA

Model	kg cm	RPM	Force (N)	Amps		watts
				190 Volt	380 Volt	
B3-550-1A-4	7.25	1460	1696	2.30	1.20	246
B3-1000-1A-4	13.24	1460	3097	2.30	1.20	246
B3-2300-2A-4	30.52	1460	7136	2.40	1.20	559
B3-3000-3-4	39.73	1460	9290	3.00	1.50	746
B3-4000-3-4	52.97	1460	12387	4.20	2.10	1119
B3-5500-3-4	72.78	1460	17019	4.20	2.10	1119
B3-7700-4-4	1010.91	1460	23832	8.20	4.10	2237
B3-10000-4-4	132.42	1460	30968	12.20	6.10	3728
B3-12300-4-4	162.71	1460	38050	12.20	6.10	3728
B3-16500-5-4	218.44	1460	51083	20.00	10.00	5593

*For the mounting
and operation
instructions on
Electric Vibrators
see our form 710*



COUGAR
INDUSTRIES, INC.

3600 Cougar Drive,
Peru, Illinois 61354-9336

Toll Free: 800-262-2106
Phone: 815-224-1200
Fax: 815-224-1241

www.cougarindustries.com

Form TB-B3/4-001b