

Electric Vibrators

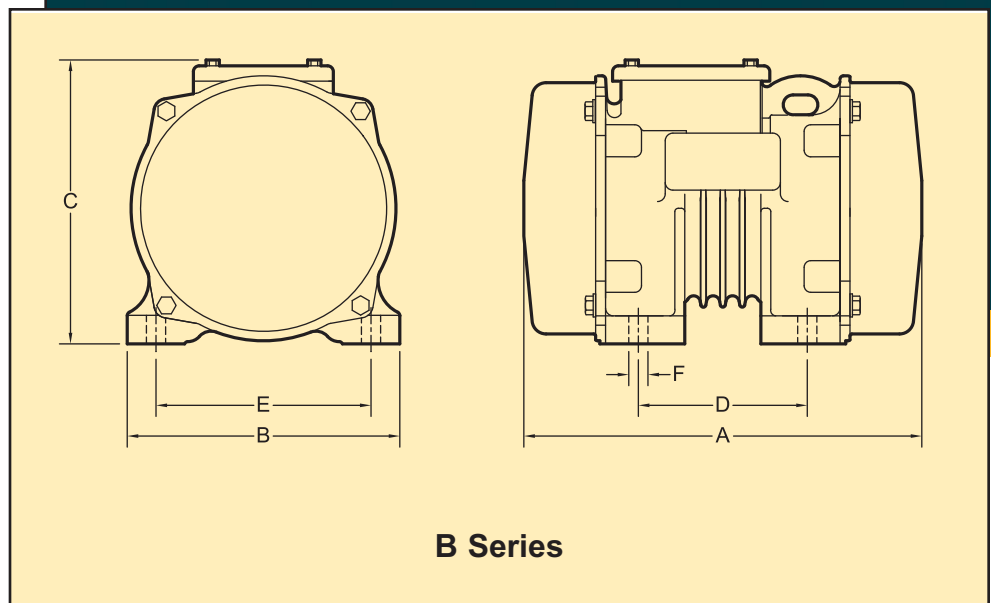
B-Series Three Phase Six Pole

COUGAR



DIMENSIONS (Inch)

Model	A	B	C	Bolt Pattern		Bolt Size	Weight Lbs.
				D	E	F	
B3-500-2A-6	13.000	8.938	9.313	5.500	7.000	0.625	57.000
B3-1000-2A-6	14.750	8.938	9.313	5.500	7.000	0.625	66.000
B3-2400-3-6	16.250	10.750	11.000	6.000	8.000	0.750	141.000
B3-3100-3-6	19.375	10.750	11.000	6.000	8.000	0.750	170.000
B3-4000-4-6	20.375	13.375	13.125	8.000	10.000	1.000	253.000
B3-5500-4-6	20.375	13.375	13.125	8.000	10.000	1.000	273.000
B3-7100-4-6	21.938	13.375	13.125	8.000	10.000	1.000	292.000
B3-10000-5-6	24.000	14.813	15.313	9.000	12.000	1.000	350.000
B3-15000-5-6	28.313	14.813	15.313	9.000	12.000	1.000	534.000
B3-17600-5-6	33.250	15.500	15.750	4.625	11.000	1.000	611.000



PERFORMANCE DATA

Model	In Lbs.	RPM	Force Lbs.	Amps			HP
				230 Volt	460 Volt	575 Volt	
B3-500-2A-6	12.90	1170	500	1.40	0.70	--	1/4
B3-1000-2A-6	25.70	1170	1000	2.60	1.30	--	1/2
B3-2400-3-6	61.70	1170	2400	2.60	1.30	--	3/4
B3-3100-3-6	79.70	1170	3100	3.40	1.70	1.40	1
B3-4000-4-6	102.20	1170	4000	10.20	5.10	--	3
B3-5500-4-6	141.30	1170	5500	10.20	5.10	3.50	3
B3-7100-4-6	182.80	1170	7100	10.20	5.10	--	3
B3-10000-5-6	257.20	1170	10000	15.40	7.70	--	5
B3-15000-5-6	385.90	1170	15000	26.60	13.30	--	7-1/2
B3-17600-5-6	430.50	1170	17606	26.60	13.30	10.60	7-1/2

For the mounting and operation instructions on Electric Vibrators see our form 710



COUGAR
INDUSTRIES, INC.®

3600 Cougar Drive,
Peru, Illinois 61354-9336

Toll Free: 800-262-2106
Phone: 815-224-1200
Fax: 815-224-1241

www.cougarindustries.com

Form TB-B3/6-001a