

Electric Vibrators

B-Series

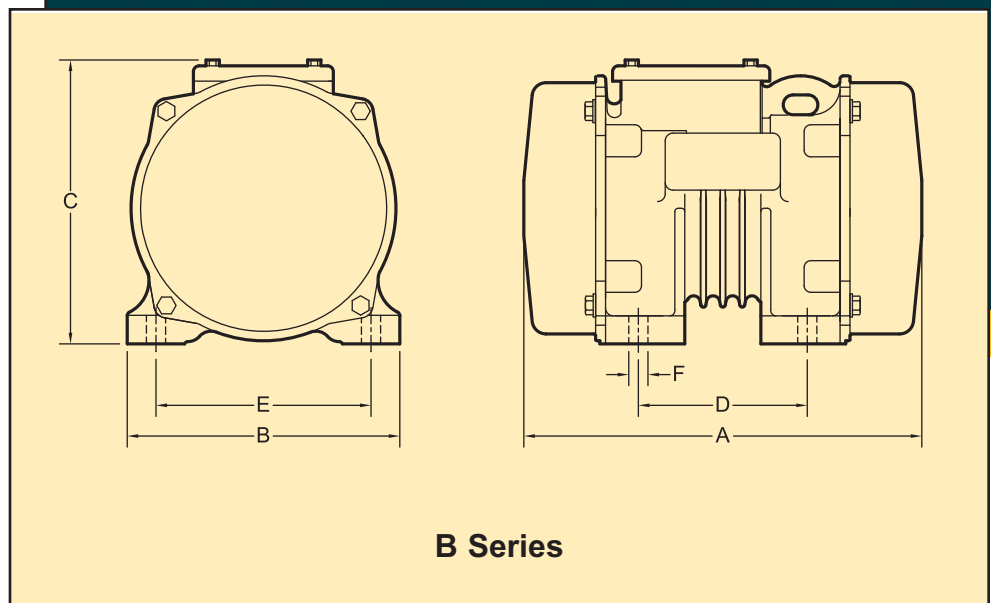
Three Phase Six Pole

COUGAR



DIMENSIONS (Millimeter)

Model	A	B	C	Bolt Pattern		Bolt Size	Weight kg
				D	E	F	
B3-500-2A-6	330	227	237	140	178	16	25.9
B3-1000-2A-6	375	227	237	140	178	16	29.9
B3-2400-3-6	413	273	279	152	203	20	64.0
B3-3100-3-6	492	273	279	152	203	20	77.1
B3-4000-4-6	518	340	333	203	254	24	114.8
B3-5500-4-6	518	340	333	203	254	24	123.8
B3-7100-4-6	557	340	333	203	254	24	132.4
B3-10000-5-6	610	376	389	229	305	24	158.8
B3-15000-5-6	719	376	389	229	305	24	242.2
B3-17600-5-6	845	394	400	117	279	25	310.0



PERFORMANCE DATA

Model	kg cm	RPM	Force (N)	Amps		watts
				190 Volt	380 Volt	
B3-500-2A-6	14.85	975	1549	1.40	0.70	186
B3-1000-2A-6	29.59	975	3086	2.60	1.30	373
B3-2400-3-6	71.05	975	7410	2.60	1.30	559
B3-3100-3-6	91.78	975	9571	3.40	1.70	746
B3-4000-4-6	117.68	975	12273	10.20	5.10	2237
B3-5500-4-6	162.71	975	16969	10.20	5.10	2237
B3-7100-4-6	210.50	975	21953	10.20	5.10	2237
B3-10000-5-6	296.17	975	30888	15.40	7.70	3728
B3-15000-5-6	444.37	975	46343	26.60	13.30	5593
B3-17600-5-6	717.39	975	74817	26.60	13.30	5593

*For the mounting
and operation
instructions on
Electric Vibrators
see our form 710*



COUGAR
INDUSTRIES, INC.

3600 Cougar Drive,
Peru, Illinois 61354-9336

Toll Free: 800-262-2106
Phone: 815-224-1200
Fax: 815-224-1241

www.cougarindustries.com

Form TB-B3/6-001b