

# Electric Vibrators

## B-Series

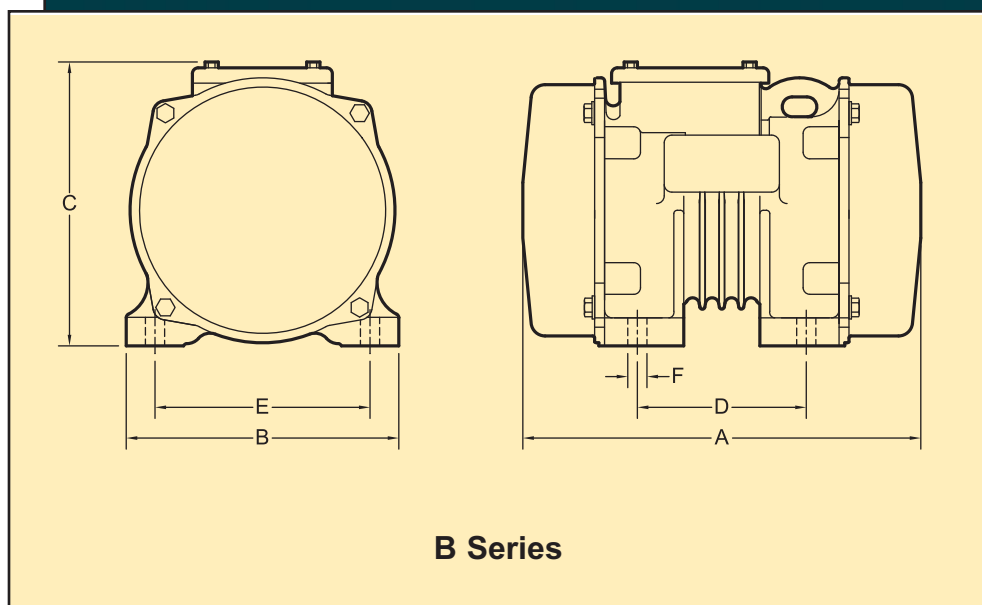
### Three Phase Eight Pole

# COUGAR



DIMENSIONS (Inch)

Model	A	B	C	Bolt Pattern		Bolt Size	Weight Lbs.
				D	E	F	
B3-500-2A-8	14.750	8.938	9.313	5.500	7.000	0.625	73.000
B3-900-2A-8	16.813	8.938	9.313	5.500	7.000	0.625	86.000
B3-1650-3-8	19.375	10.750	11.000	6.000	8.000	0.750	169.000
B3-2100-4-8	20.375	13.375	13.125	8.000	10.000	1.000	254.000
B3-2900-4-8	20.375	13.375	13.125	8.000	10.000	1.000	274.000
B3-3750-4-8	21.938	13.375	13.125	8.000	10.000	1.000	299.000
B3-5280-5-8	24.000	14.813	15.313	9.000	12.000	1.000	437.000
B3-7900-5-8	28.313	14.813	15.313	9.000	12.000	1.000	500.000
B3-10000-5-8	28.313	14.813	15.313	9.000	12.000	1.000	542.000



### PERFORMANCE DATA

Model	In Lbs.	RPM	Force Lbs.	Amps			HP
				230 Volt	460 Volt	575 Volt	
B3-500-2A-8	26.80	850	550	3.2	1.6	--	1/2
B3-900-2A-8	43.90	850	900	3.2	1.6	--	1/2
B3-1650-3-8	80.40	850	1650	3.8	1.9	1.5	3/4
B3-2100-4-8	102.90	850	2100	7.8	3.9	--	1
B3-2900-4-8	141.30	850	2900	7.8	3.9	--	1
B3-3750-4-8	182.80	850	3750	8.0	4.0	--	2
B3-5280-5-8	257.20	850	5280	17.8	8.9	--	3
B3-7900-5-8	385.90	850	7900	17.8	8.9	--	3
B3-10000-5-8	487.40	850	10000	18.0	9.0	--	5

*For the mounting and operation instructions on Electric Vibrators see our form 710*



**COUGAR**  
INDUSTRIES, INC.

3600 Cougar Drive,  
Peru, Illinois 61354-9336

Toll Free: 800-262-2106  
Phone: 815-224-1200  
Fax: 815-224-1241

[www.cougarindustries.com](http://www.cougarindustries.com)

Form TB-B3/8-001a