

# Electric Vibrators

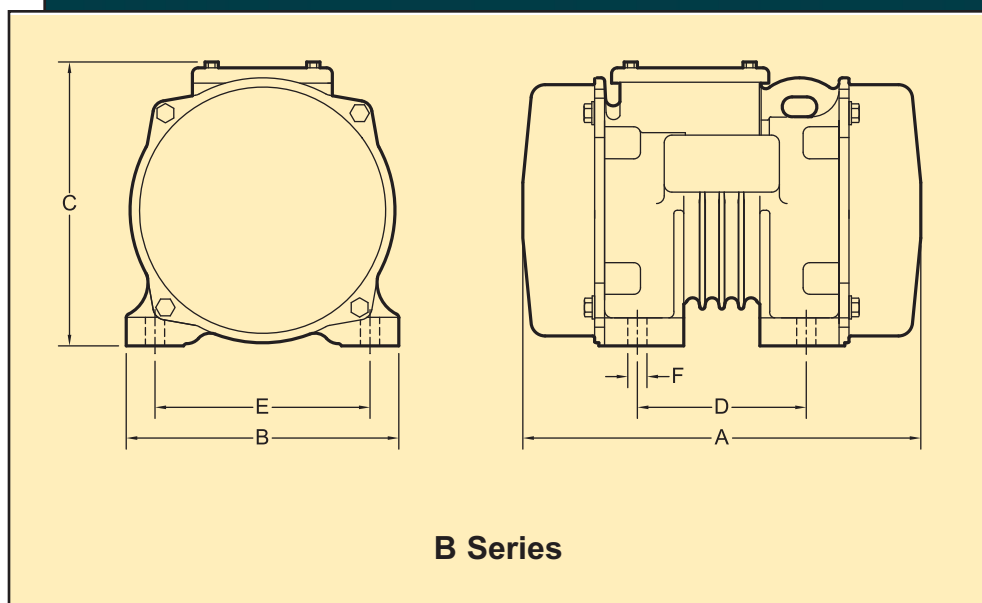
## B-Series Three Phase Eight Pole

# COUGAR



DIMENSIONS (Millimeter)

Model	A	B	C	Bolt Pattern		Bolt Size	Weight kg
				D	E	F	
B3-500-2A-8	375	227	237	140	178	16	33.1
B3-900-2A-8	427	227	237	140	178	16	39.0
B3-1650-3-8	492	273	279	152	203	20	76.7
B3-2100-4-8	518	340	333	203	254	24	115.2
B3-2900-4-8	518	340	333	203	254	24	125.3
B3-3750-4-8	557	340	333	203	254	24	135.6
B3-5280-5-8	610	376	389	229	305	24	198.2
B3-7900-5-8	719	376	389	229	305	24	226.8
B3-10000-5-8	719	376	389	229	305	24	245.8



### PERFORMANCE DATA

Model	kg cm	RPM	Force (N)	Amps		watts
				190 Volt	380 Volt	
B3-500-2A-8	30.86	710	1707	3.2	1.6	373
B3-900-2A-8	50.55	710	2796	3.2	1.6	373
B3-1650-3-8	92.58	710	5120	3.8	1.9	559
B3-2100-4-8	118.49	710	6553	7.8	3.9	746
B3-2900-4-8	162.71	710	8998	7.8	3.9	746
B3-3750-4-8	210.50	710	11641	8.0	4.0	1491
B3-5280-5-8	296.17	710	16379	17.8	8.9	2237
B3-7900-5-8	444.37	710	24575	17.8	8.9	2237
B3-10000-5-8	561.25	710	31039	18.0	9.0	3728

*For the mounting  
and operation  
instructions on  
Electric Vibrators  
see our form 710*



**COUGAR**  
INDUSTRIES, INC.

3600 Cougar Drive,  
Peru, Illinois 61354-9336

Toll Free: 800-262-2106  
Phone: 815-224-1200  
Fax: 815-224-1241

[www.cougarindustries.com](http://www.cougarindustries.com)

Form TB-B3/8-001b