

# Air Cannons Model CC

# COUGAR

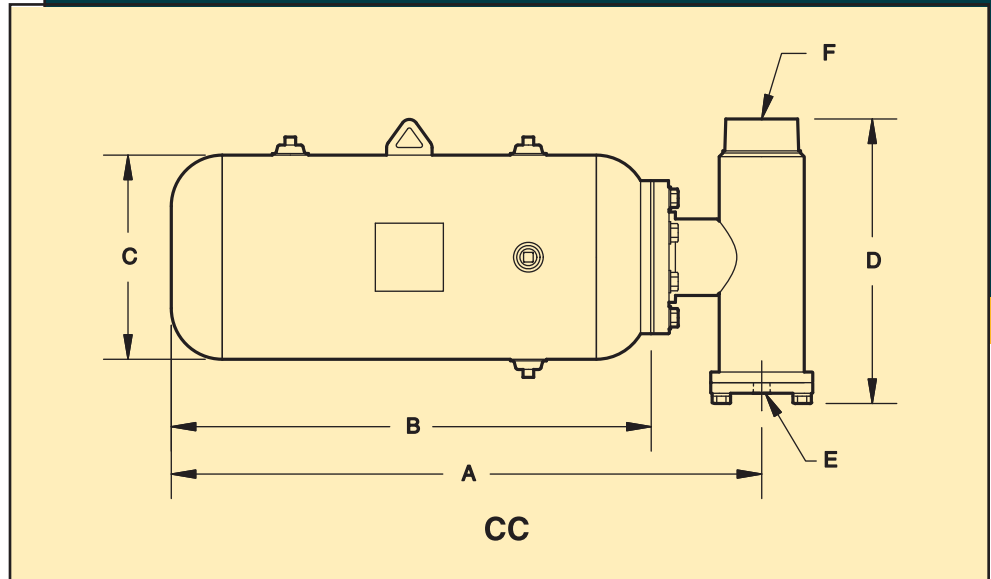


DIMENSIONS (Inch)

Model	Dimensions (Inches)						Weight Lbs.
	A	B	C	D	E	F	
CC2-8-20	23.813	20	8	9.313	3/4" NPT	2" NPT	38
CC4-12-28	34.750	28	12	16.750	3/4" NPT	4" NPT	106
CC4-20-30	37.125	30	20	16.750	3/4" NPT	4" NPT	146
CC4-24-30	37.125	30	24	16.750	3/4" NPT	4" NPT	163
CC4-24-48	55.125	48	24	16.750	3/4" NPT	4" NPT	210

For the mounting and operation instructions on Air Cannons see our form 715

An interchange chart for competitive models is available



## PERFORMANCE DATA

Air Pressure (PSI)	Air Volume (Cubic Feet)				
	CC2-8-20	CC4-12-28	CC4-20-30	CC4-24-30	CC4-24-48
0	0.51	1.63	4.87	6.96	11.52
40	1.39	4.43	13.25	19.00	31.35
60	2.08	6.65	19.87	28.40	47.02
80	2.78	8.87	26.50	37.88	62.70
100	3.47	11.09	33.13	47.35	78.37
120	4.16	13.30	39.76	56.82	94.04



**COUGAR**  
INDUSTRIES, INC.

3600 Cougar Drive,  
Peru, Illinois 61354-9336

Toll Free: 800-262-2106  
Phone: 815-224-1200  
Fax: 815-224-1241

[www.cougarindustries.com](http://www.cougarindustries.com)

Form TB-CC-001a