

Air Cannons Model CC

COUGAR

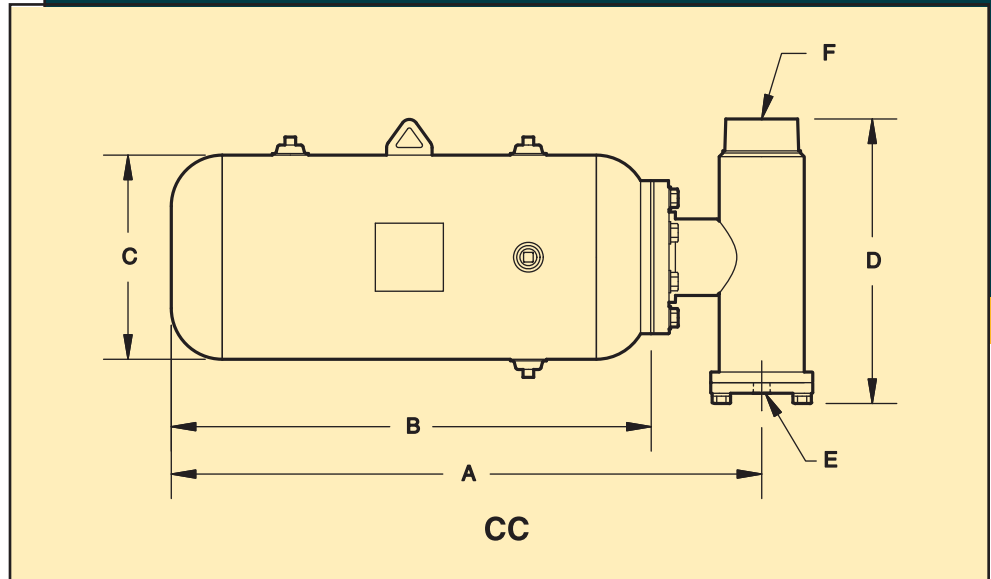


DIMENSIONS (Millimeter)

Model	Dimensions (mm)						Weight kg
	A	B	C	D	E	F	
CC2-8-20	605	508	203	237	3/4" NPT	2" NPT	17.24
CC4-12-28	883	711	305	425	3/4" NPT	4" NPT	48.08
CC4-20-30	943	762	508	425	3/4" NPT	4" NPT	66.22
CC4-24-30	943	762	610	425	3/4" NPT	4" NPT	73.94
CC4-24-48	1400	1219	610	425	3/4" NPT	4" NPT	95.25

For the mounting and operation instructions on Air Cannons see our form 715

An interchange chart for competitive models is available



PERFORMANCE DATA

Air Pressure (Bar)	Air Volume (Liters)				
	CC2-8-20	CC4-12-28	CC4-20-30	CC4-24-30	CC4-24-48
0.0	14	46	138	197	326
2.8	39	125	375	538	888
4.1	59	188	563	804	1331
5.5	79	251	750	1073	1775
6.9	98	314	938	1341	2219
8.3	118	377	1126	1609	2663



COUGAR
INDUSTRIES, INC.

3600 Cougar Drive,
Peru, Illinois 61354-9336

Toll Free: 800-262-2106
Phone: 815-224-1200
Fax: 815-224-1241

www.cougarindustries.com

Form TB-CC-001b