

# Concrete Tampers

## Model GT

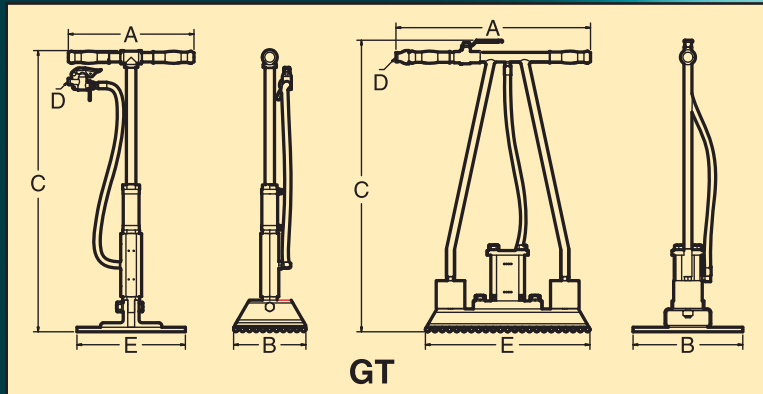
# COUGAR



DIMENSIONS (Millimeter)

Model	Piston Size	A	B	C	Port NPT	E	Weight kg
	mm				D		
GT-15/GT-15-C	32	352	203	791	1/4	305	10.0
GT-25/GT-25-C	51	541	305	810	1/4	457	22.7
GT-25-L/GT-25-L-C	51	541	305	810	1/4	457	24.9

*For the mounting and operation instructions on Piston Vibrators see our form 714*



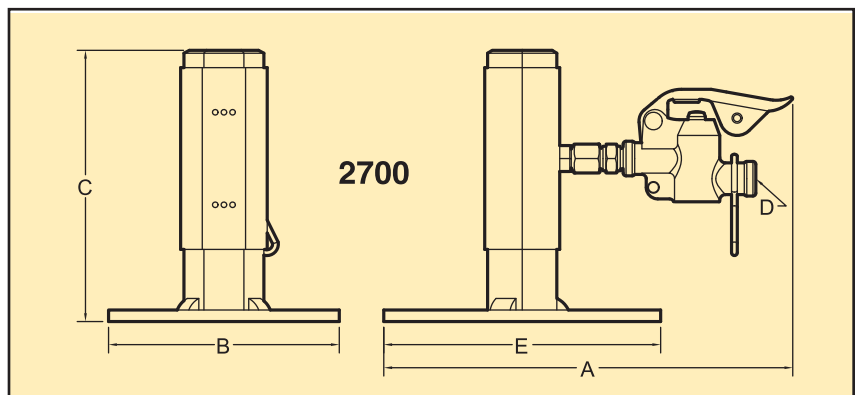
### PERFORMANCE DATA

Model	Piston Size	2.7 Bar		4 Bar		MAX 5.5 Bar	
	mm	VPM	Ltr/Min	VPM	Ltr/Min	VPM	Ltr/Min
GT-15/GT-15-C	32	4500	156	5800	227	6500	306
GT-25/GT-25-C	51	2600	311	3900	456	4100	592
GT-25-L/GT-25-L-C	51	1400	193	2600	362	3500	558

## Model 2700

Model	Piston Size	A	B	C	Port NPT	E	Weight kg
	mm				D		
2708	25	225	127	149	1/4	152	2.8

*For the mounting and operation instructions on Piston Vibrators see our form 714*



### PERFORMANCE DATA

Model	Piston Size	2.7 Bar		4 Bar		MAX 5.5 Bar	
	mm	VPM	Ltr/Min	VPM	Ltr/Min	VPM	Ltr/Min
2708	25	9000	76	14000	113	16000	153



**COUGAR**  
INDUSTRIES, INC.

3600 Cougar Drive,  
Peru, Illinois 61354-9336

Toll Free: 800-262-2106  
Phone: 815-224-1200  
Fax: 815-224-1241

[www.cougarindustries.com](http://www.cougarindustries.com)

Form TB-GT/2700-001b