

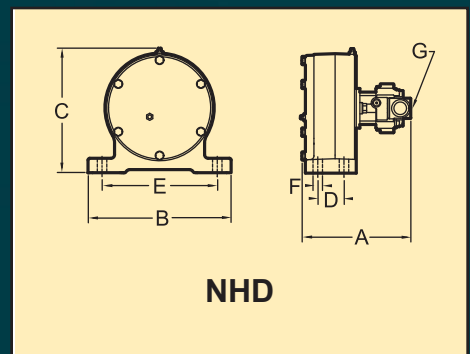
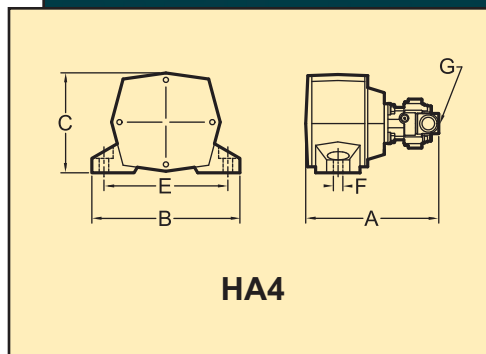
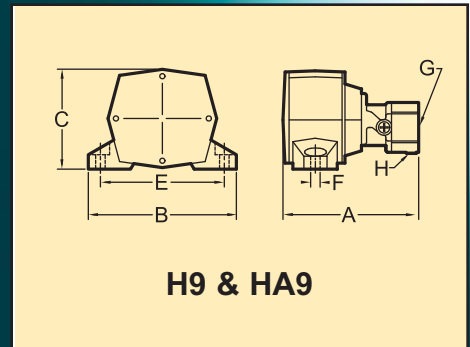
# Hydraulic Vibrators

# COUGAR

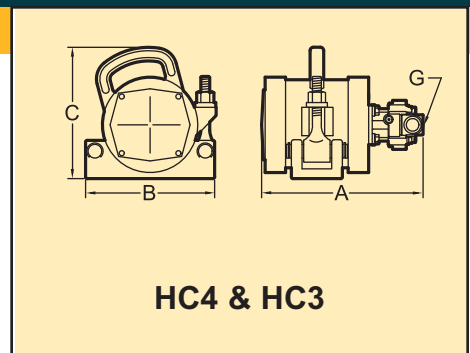
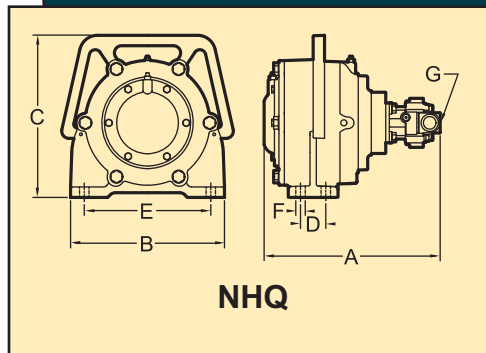


## DIMENSIONS (Inch)

Model	A	B	C	Bolt Pattern		Bolt Size	Port NPT	Case Drain	Weight Lbs.
				D	E	F	G	H	
H9-500	6.250	6.750	4.625	--	5.500	0.375	3/8	7/16 - 20 SAE	11.000
HA9-1600	9.750	7.375	4.625	--	6.000	0.500	3/8	7/16 - 20 SAE	20.000
HA4-3300	11.125	10.000	6.625	--	8.000	0.625	3/4 - 16 SAE	--	39.000
NHD-110	7.500	10.000	8.688	2.000	8.000	0.625	3/4 - 16 SAE	--	37.750
NHQ-170	12.188	10.688	11.250	2.000	8.000	0.625	3/4 - 16 SAE	--	69.750
NHQ-175	12.188	10.688	11.250	2.000	8.000	0.625	3/4 - 16 SAE	--	75.000
HC4-3000	11.438	9.500	10.313	--	--	--	3/4 - 16 SAE	--	42.000
HC3-3500	11.438	9.500	10.313	--	--	--	3/4 - 16 SAE	--	45.000
HL4-3000	11.438	8.375	10.500	1.250	6.250	--	3/4 - 16 SAE	--	52.000
HL3-3500	11.438	8.375	10.500	1.250	6.250	--	3/4 - 16 SAE	--	58.000

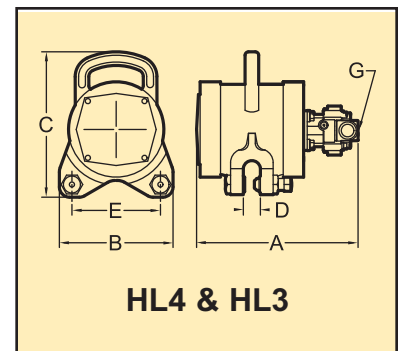


*For the mounting and operation instructions on Hydraulic Vibrators see our form 703*



## PERFORMANCE DATA

Model	In Lbs.	Force			Force			Force		MAX GPM	MAX PSI
		VPM	Lbs.	GPM	VPM	Lbs.	GPM	VPM	Lbs.		
H9-500	0.22	4000	100	2.79	6000	225	4.18	9000	506	6.25	1500
HA9-1600	0.69	4000	314	2.79	6000	705	4.18	9000	1587	6.24	1500
HA4-3300	5.70	2000	648	3.22	3000	1457	4.83	4500	3278	7.24	2000
NHD-110	6.00	2000	682	2.00	3000	1534	2.75	4000	2726	3.50	2000
NHQ-170	12.50	2000	1420	4.00	3000	3195	5.50	4000	5680	7.00	2000
NHQ-175	25.00	2000	2840	4.00	3000	6390	5.50	4000	11360	7.00	2000
HC4-3000	5.00	2000	568	3.22	3000	1278	4.83	4600	3005	7.41	2000
HC3-3500	10.10	2000	1147	3.22	3000	2582	4.83	3500	3514	5.64	2000
HL4-3000	5.00	2000	568	3.22	3000	1278	4.83	4600	3005	7.41	2000
HL3-3500	10.10	2000	1147	3.22	3000	2582	4.83	3500	3514	5.64	2000



**COUGAR**  
INDUSTRIES, INC.

3600 Cougar Drive,  
Peru, Illinois 61354-9336

Toll Free: 800-262-2106  
Phone: 815-224-1200  
Fax: 815-224-1241

[www.cougarindustries.com](http://www.cougarindustries.com)

Form TB-HYD-001a