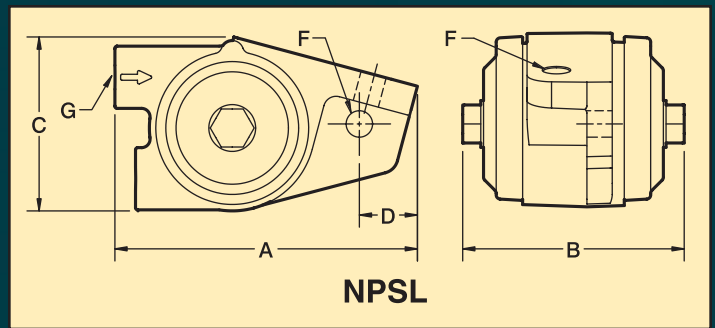
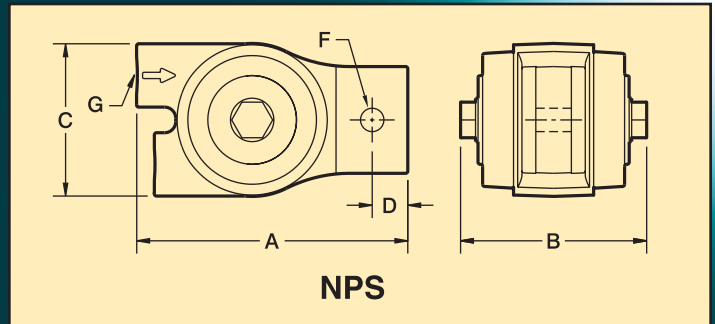
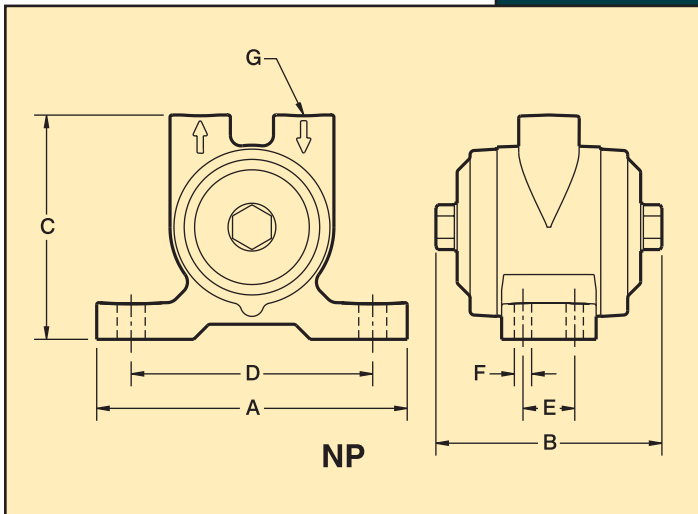


Ring Vibrators Models NP, NPS & NPSL

COUGAR



DIMENSIONS (Inch)



Model	A	B	C	Bolt Pattern		Bolt Size	Port NPT	Weight Lbs.
				D	E			
NP-15	3.25	1.75	2.375	2.5	--	5/16	1/8	.75
NP-20	3.375	2.5	3.125	2.5	--	5/16	1/4	1.375
NP-25	4.5	3.25	3.25	3.5	--	3/8	1/4	2.25
NP-35	5.375	3.125	4.125	4	--	1/2	1/4	3.25
NP-45	5.375	3.75	4.625	4	--	1/2	1/4	5.25
NP-55	6.375	4	5.625	5	--	1/2	3/8	8
NP-75	7.75	4	6	6	--	5/8	1/2	9.5
NP-95	9.5	6.125	7.75	8	2	5/8	1/2	34.5
NPS-15	3.5	1.75	1.75	.5	--	5/16	1/4	.75
NPS-20	3.75	2.5	2.125	.625	--	5/16	1/4	1.375
NPSL-25	4.5	3	2.5	.75	--	3/8	1/4	2.25

*For the mounting and
operation instructions
on Ring Vibrators
see our form 723*

PERFORMANCE DATA

Model	In Lbs.	40 PSI			60 PSI			80 PSI		
		VPM	Force Lbs.	CFM	VPM	Force Lbs.	CFM	VPM	Force Lbs.	CFM
NP-15	0.006	35000	209	4	40000	275	5	47000	378	6
NP-20	0.010	24000	163	4	29000	240	5	31000	270	6
NP-25	0.041	27500	860	6	32500	1230	8	35000	1425	10
NP-35	0.098	18000	900	6	22500	1400	8	26000	1880	11
NP-45	0.238	10000	675	10	15000	1525	13	17000	2000	16
NP-55	0.406	14500	2425	11	15000	2600	15	16000	3000	20
NP-75	1.000	7750	1700	30	9000	2300	33	10000	2840	39
NP-95	3.000	5200	2300	42	6000	3067	56	7000	4175	66
NPS-15	0.006	35000	209	4	40000	275	5	47000	378	6
NPS-20	0.010	24000	163	4	29000	240	5	31000	270	6
NPSL-25	0.041	27500	860	6	32500	1230	8	35000	1425	10



COUGAR
INDUSTRIES, INC.

3600 Cougar Drive,
Peru, Illinois 61354-9336

Toll Free: 800-262-2106
Phone: 815-224-1200
Fax: 815-224-1241

www.cougarindustries.com

Form TB-NP-001a